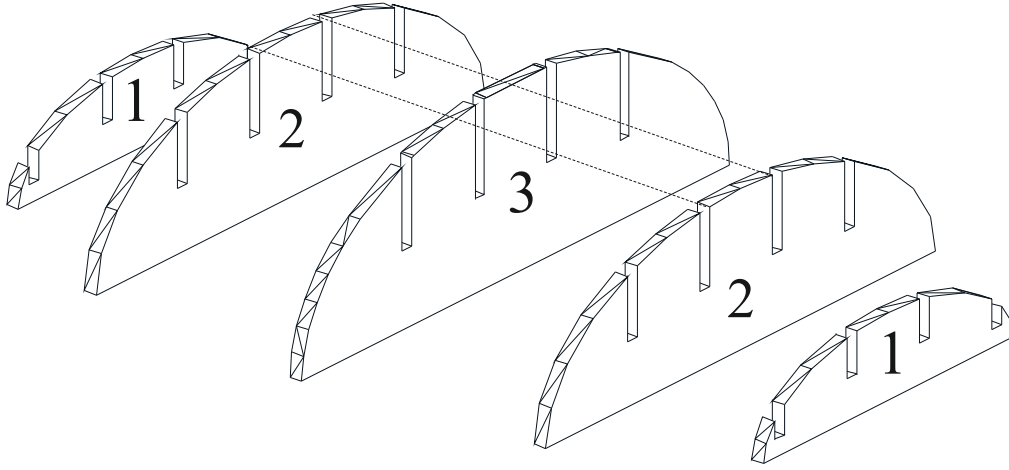
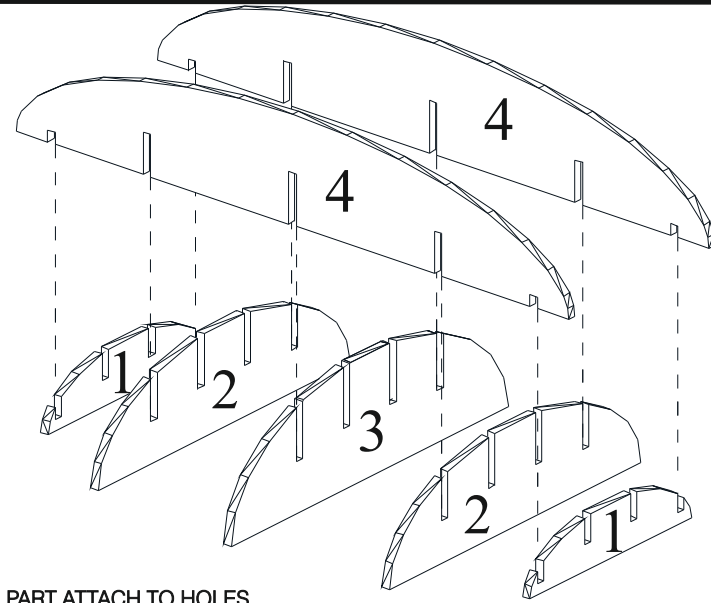


1



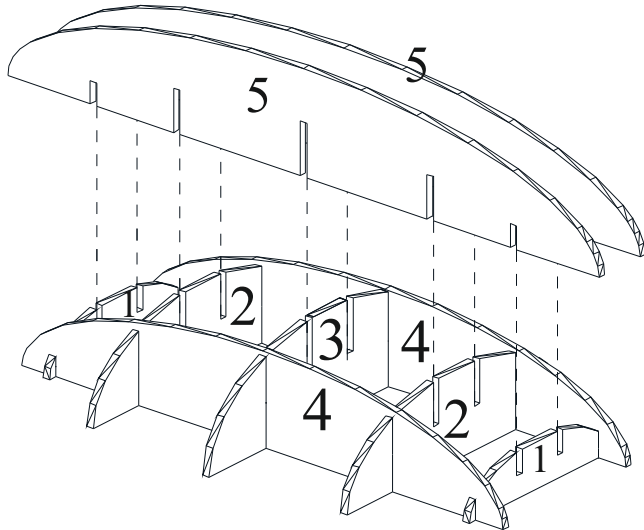
- *PLACE 1-2 AND 3 NUMBERED PARTS ONE ANOTHER AS SHOWN
- * PART NUMBER 1 : 465 mm.
- * PART NUMBER 2 : 727 mm.
- * PART NUMBER 3 : 800 mm.

2



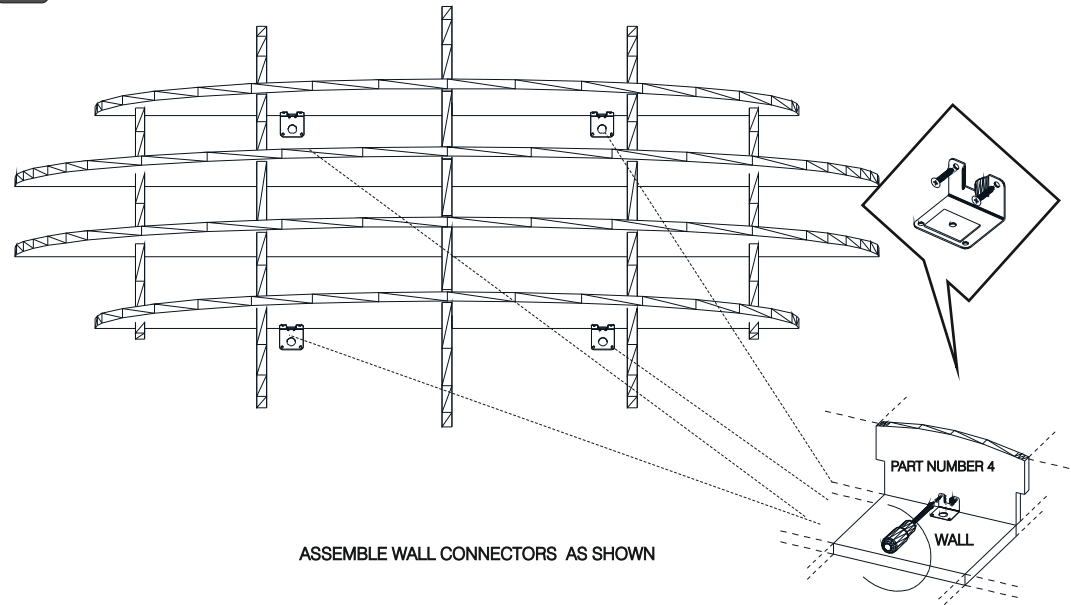
- *4 NUMBERED PART ATTACH TO HOLES
PLACES SHOWN IN THE PICTURE
- * PART NUMBER 4 : 1309 mm.

3

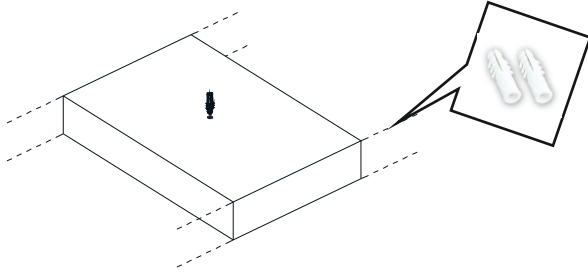


- *5 NUMBERED PART ATTACH TO HOLES
PLACES SHOWN IN THE PICTURE
- * PART NUMBER 5 : 1610 mm.

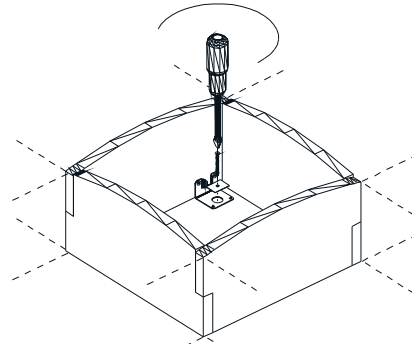
4



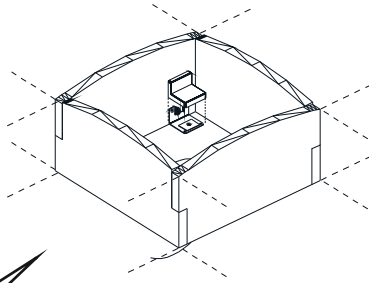
ASSEMBLE WALL CONNECTORS AS SHOWN



1-YOU HAVE TO PLACE PARTS ON TE PICTURE
TO THE DRILLED WALL



2-ASSEMBLE WALL CONNECTORS
AS SEEN IN THE PICTURE



3-PLACE THE WALL CONNETORS COVER

