

ACCESSORY LIST

Minifix Head A01	Minifix Screw A02	Dowel A03	3,5x18 Screw A10	4x50 Screw A09	128 mm Handle A18	Retro Leg A46
Backboard Nail A28	Hinge A12	Hinge A13	Shelf pin A40	Ø8 mm Pin A08	M4x22 Handle Screw A14	4x70 Screw A47

İ	PARÇA ADI	KALN.	BOY	EN	ADET
1	ÜST TABLA	18	1200	297	1
2	ALT TABLA	18	1200	297	1
3	SAĞ-SOL YAN	18	267	297	2
4	SAĞ-SOL DİKME	18	267	297	2
5	SABİT RAF	18	397	297	1
6	KAPAK	18	360	262	2
7	DUVAR RAFI ARKA	18	600	160	1
8	DUVAR RAFI RAF	18	600	140	1
9	ARKALIK	3	1195	298	1

Dear Customer,

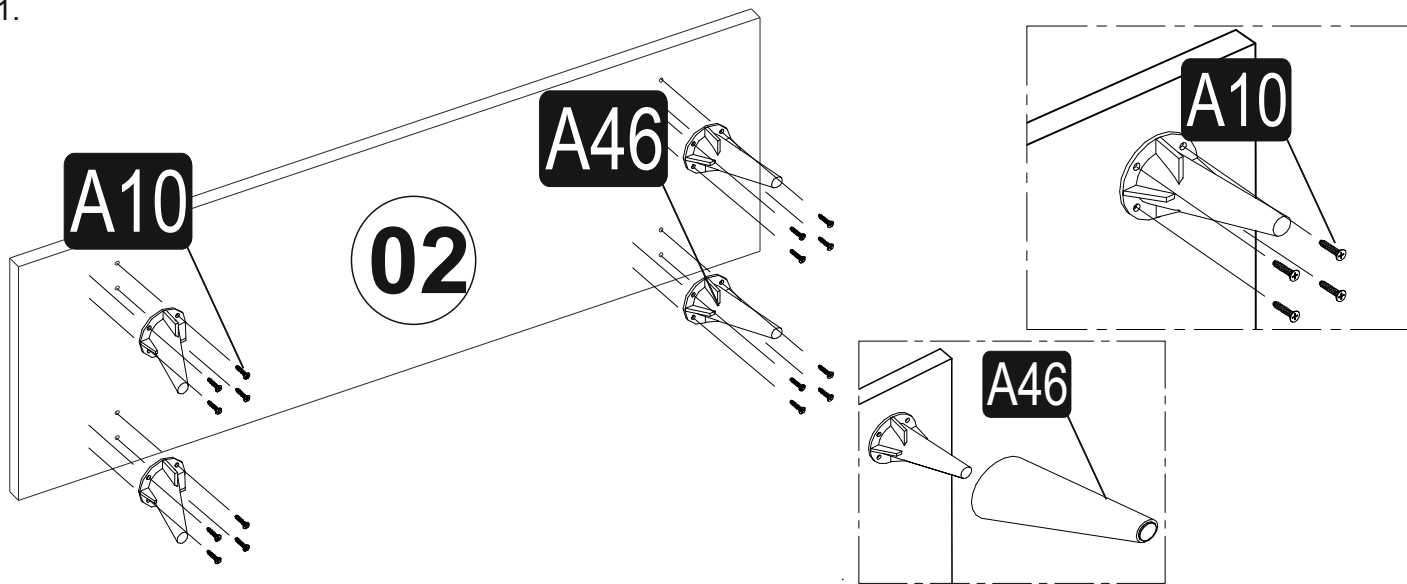
The product you bought was subjected to all sorts of tests and control before sending out to you. Even in this situation, sometimes happen that some component is damaged during the transportation. In such case please do not send the whole article back to us. Just request/order the damaged part. While requesting the required part, describe it exactly by looking to service card. Missing part will be sent to you as soon as possible. Before start assembling, please check the whole components and accessories according to the lists. After being sure that every part and accessory are okay and right, start assembling. Before start assembling, please clean all the components with a damp cloth. If you bought more than one product, to prevent confusion be sure that you completed the first product. Then start the other product's assembling. Never draw the products. While carrying, disassociate and lift the product and carry with minimum 2 people. For long distances carry the product with the package.

It is very easy to clean the surfaces of your product. It is enough to wipe with a damp and soapy cloth or other household cleaners.

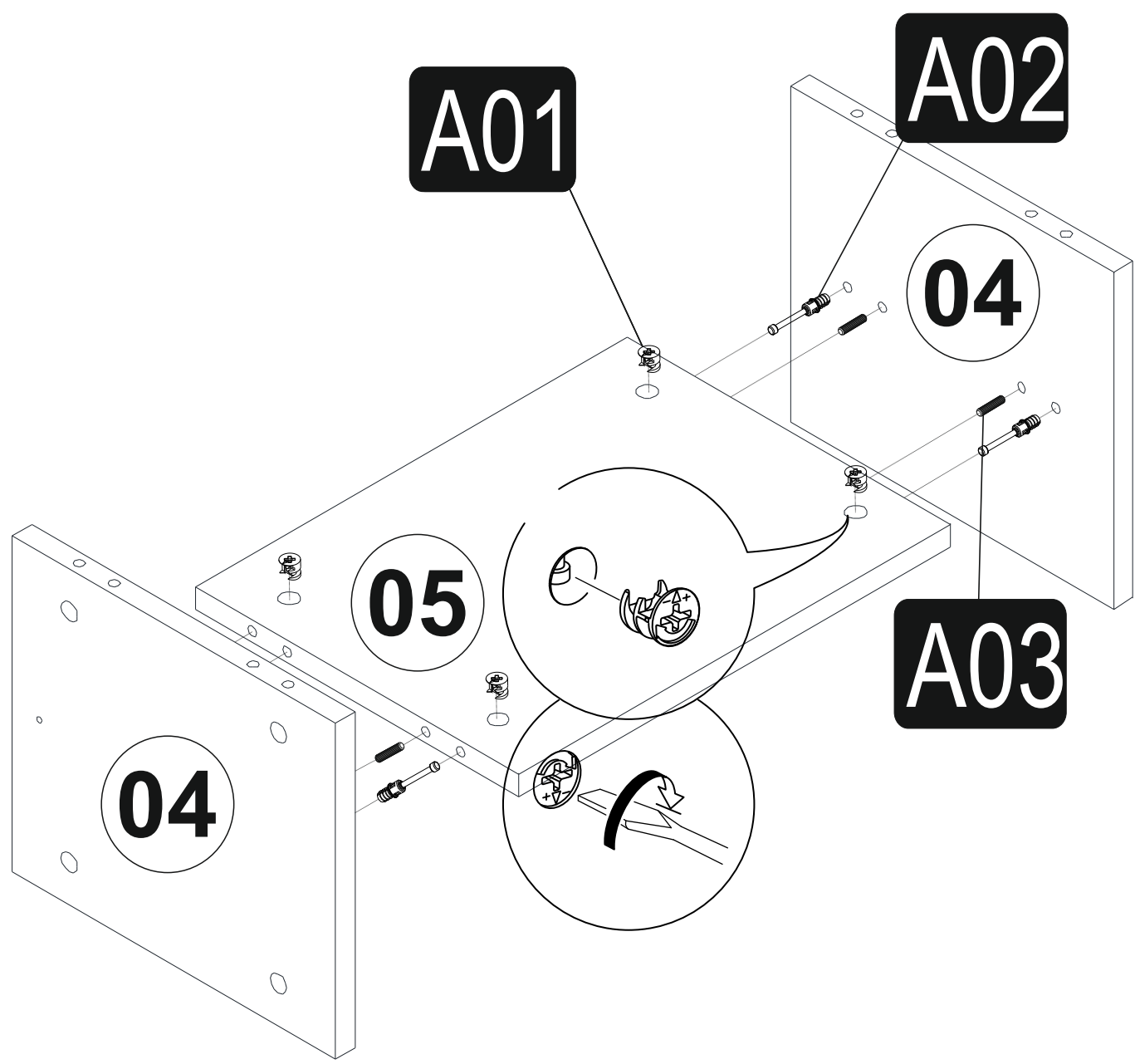
Do not directly contact your furniture with excessive heat, cold and humidity because the product can be affected.

Do not use your furniture for out of purposes.

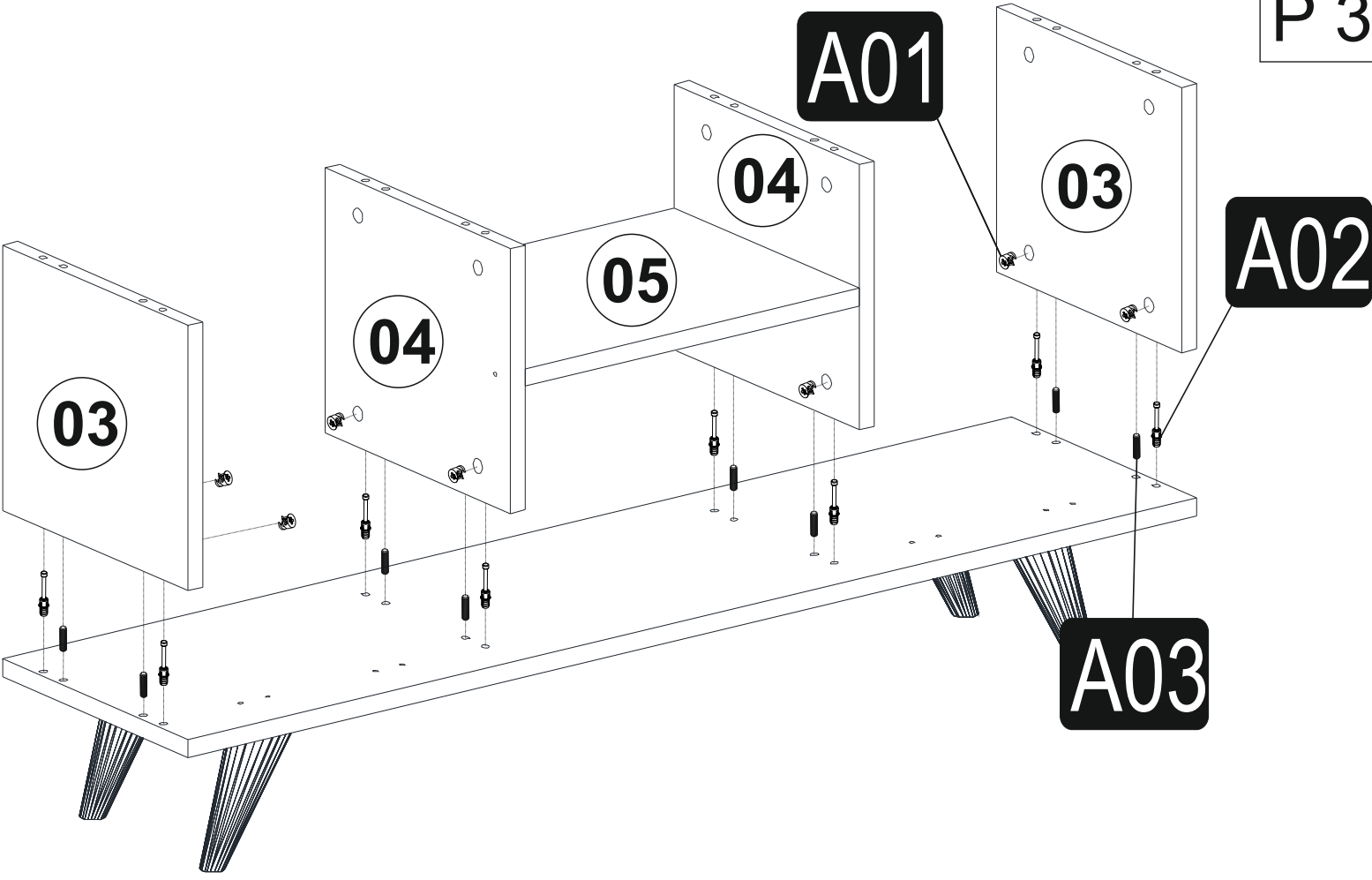
1.



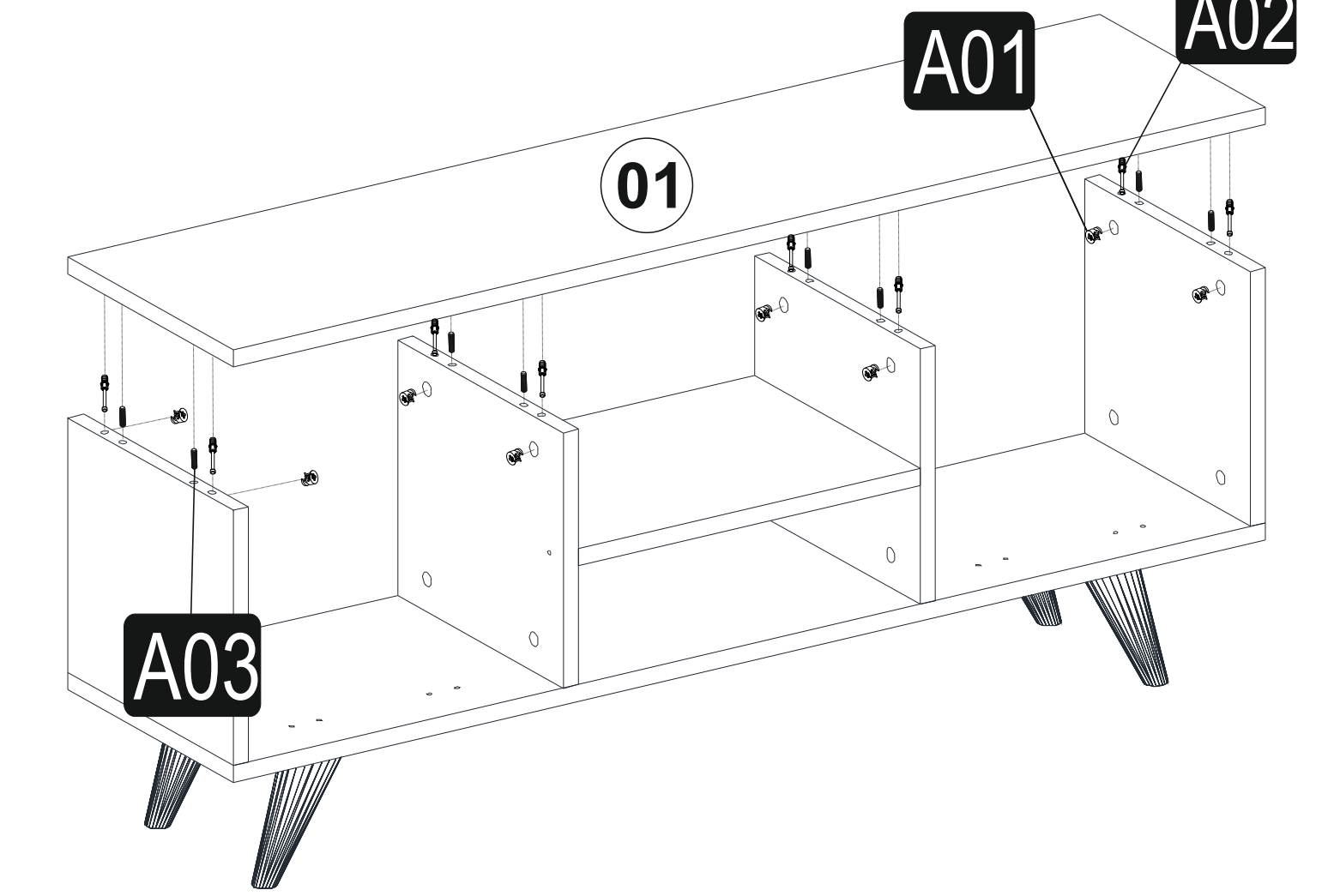
2.



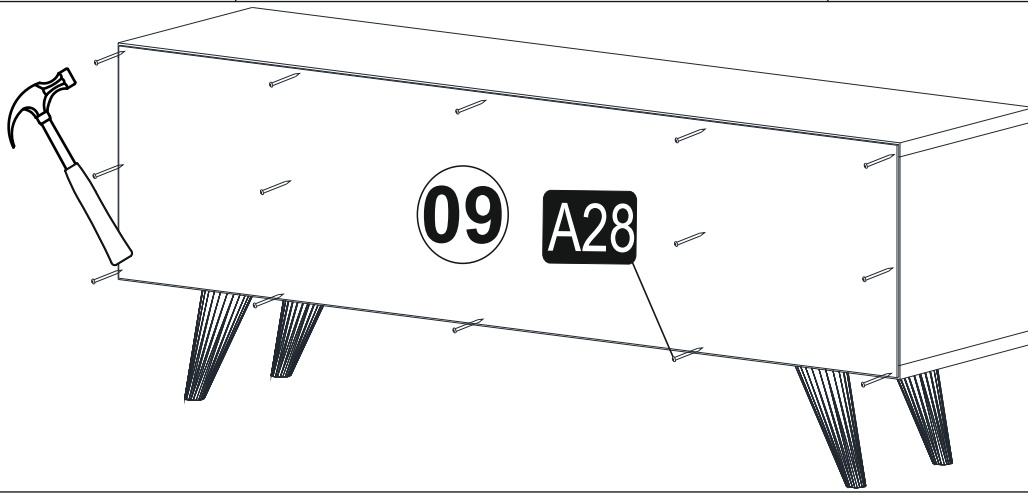
3.



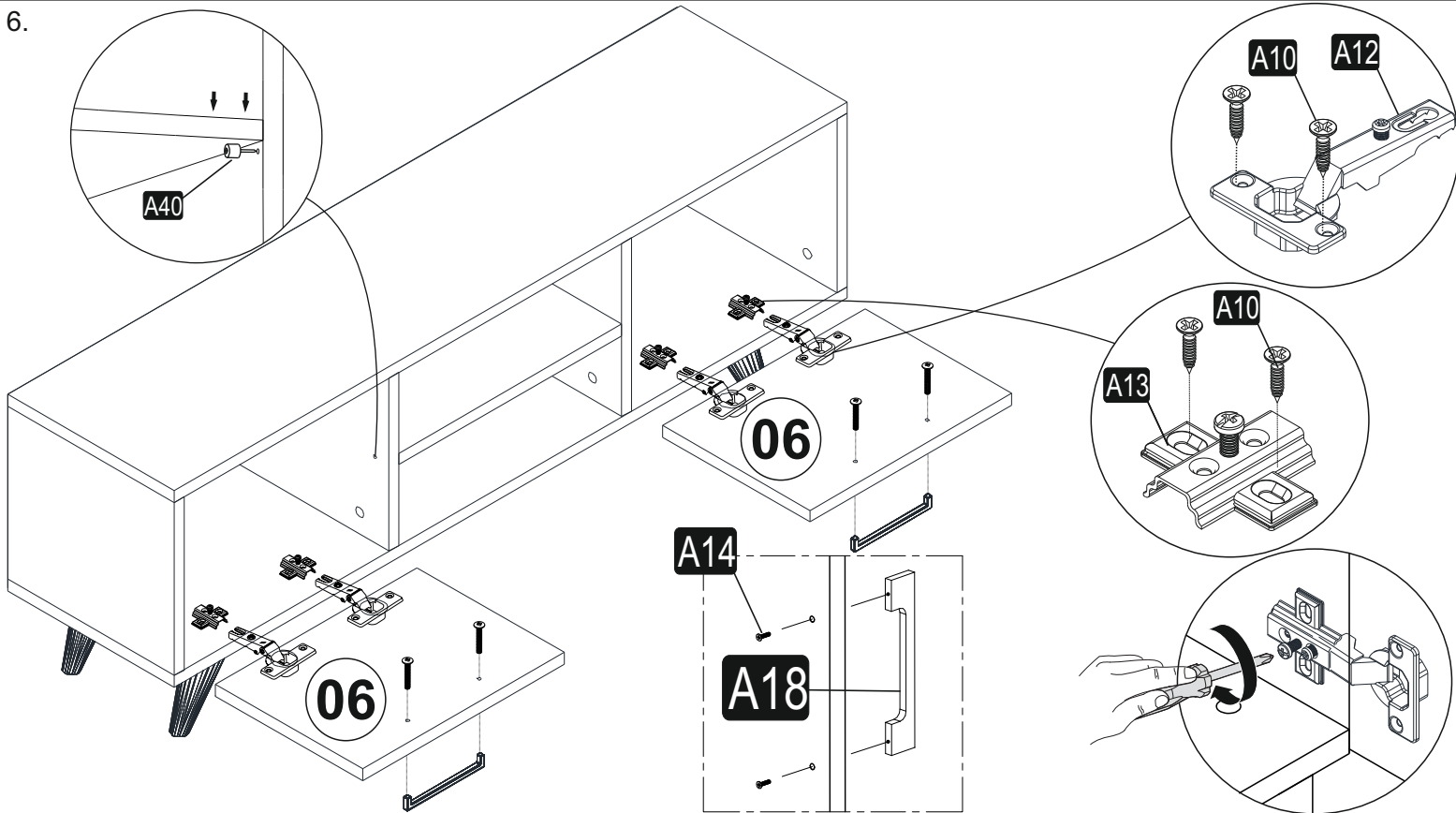
4.



5.



6.



7.

