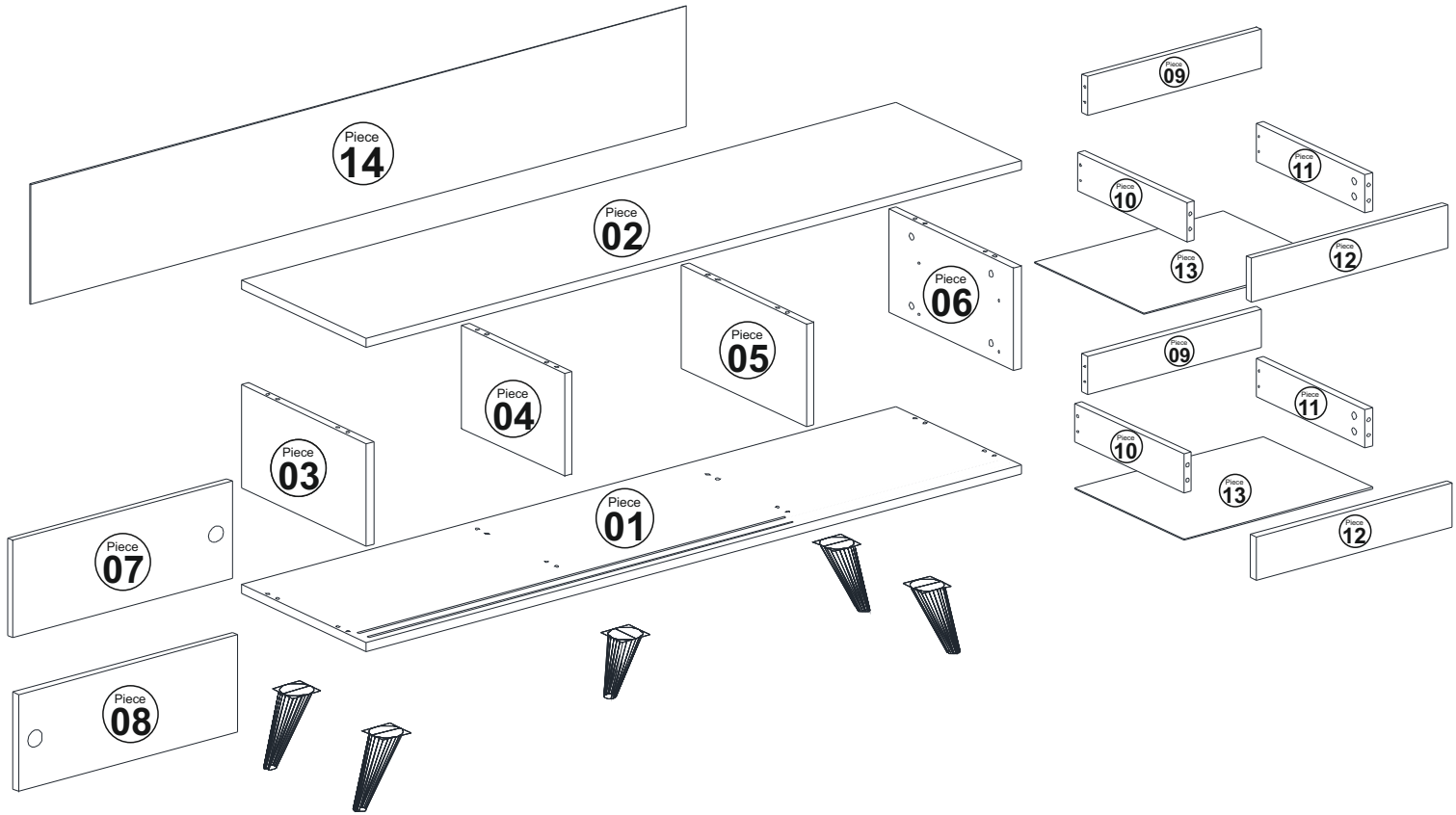
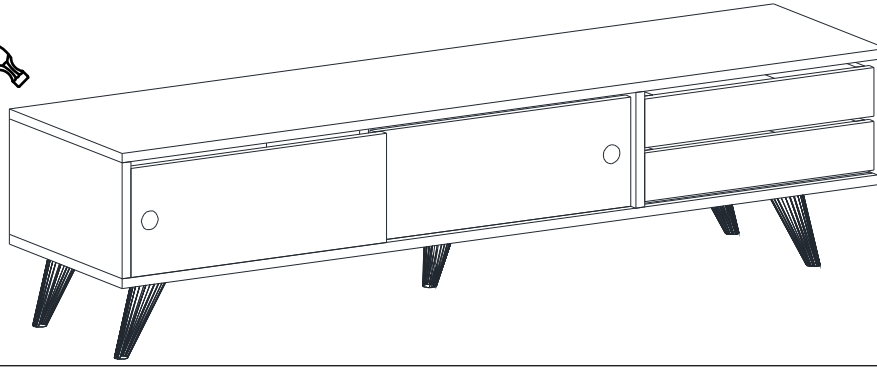
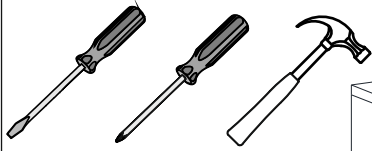


The necessary tools (not included)



ACCESSORY LIST

ASSEMBLY PARTS

ACCESSORY LIST				ASSEMBLY PARTS					
Minifix	Minifix Screw	Dowel	Retro Leg	4x50 Screw	NO	Length	Width	Thick	PCS
					1	1600	400	18	1
A01	24x	A02	24x	A09	2	1600	400	18	1
					3	214	400	18	1
A07	4x	A08	4x	A10	4	214	330	18	1
A47	4x	A48	4x		5	214	400	18	1
A49	4x	A22	2x	92x	6	214	400	18	1
A28	26x				7	202	535	18	1
					8	202	535	18	1
					9	425	80	18	2
					10	350	80	18	2
					11	350	80	18	2
					12	480	90	18	2
					13	355	457	3	2
					14	1597	247	3	1

Dear Customer,

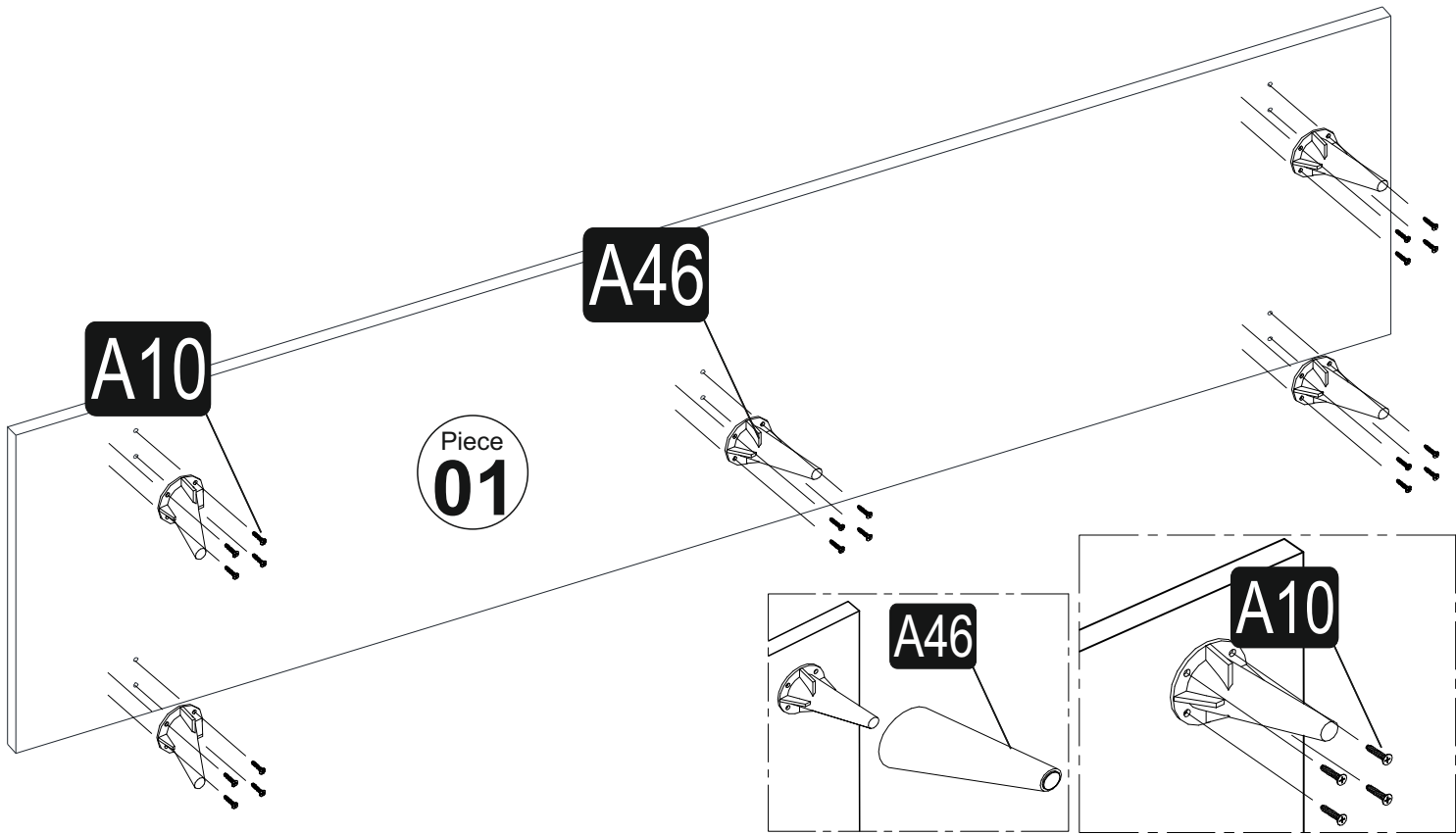
The product you bought was subjected to all sorts of test and control before sending out to you. Even in this situation, sometimes happen that some component is damaged durin the transportation. In such please do not sent the whole article back us. Just request/order the damaged part. While requesting the required part, describe it exactly by looking to service card. Missing part will be sent you as soon as possible. Before start assembling, please check the whole components and accessories according to the lists. After being sure that every part and accessory are okay and right, start assembling. Before start assembling, please clean all the components with a damp cloth. If you bought more than one product, to prevent confusion be sure that you completed the first product. Then start the other product's assembling.

Never drag the products. While carrying, disassociate and lift the product and carry with minimum 2 people. For long distances carry the product with the package.

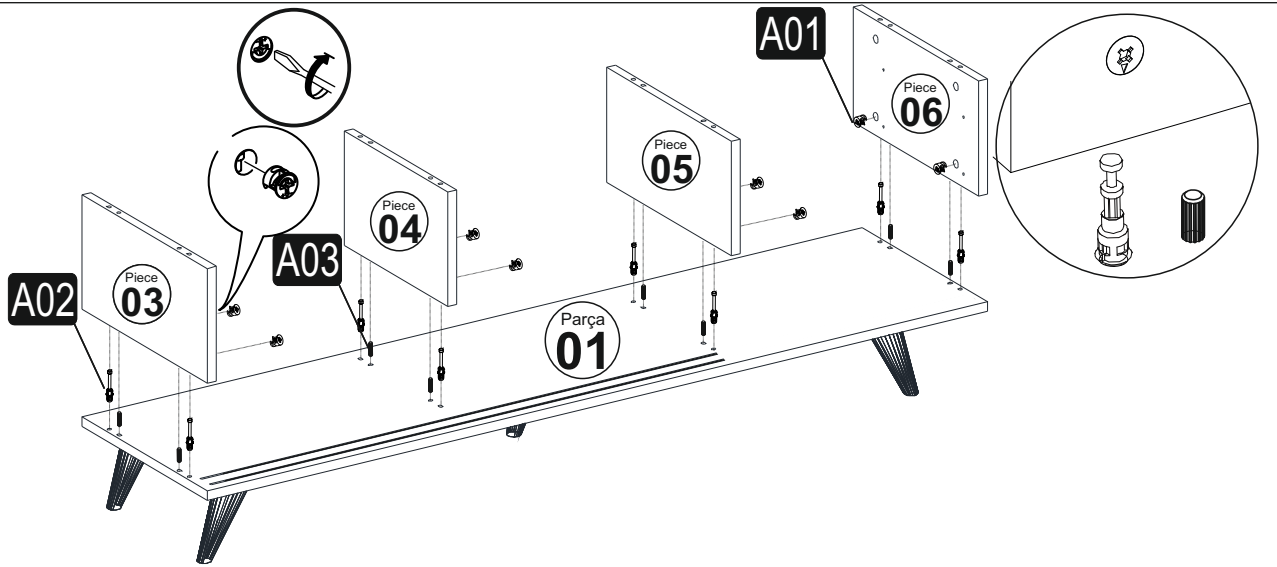
It is very easy to clean the surfaces of your product. It is enough to wipe a damp and soapy cloth or other household cleaners.

Do not directly contact your furniture with excessive heat, cold and humidity because the product can be affected.

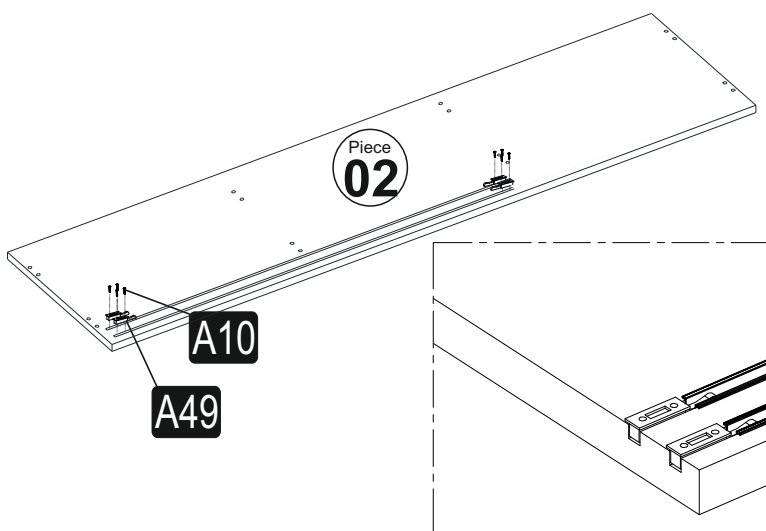
1. Step



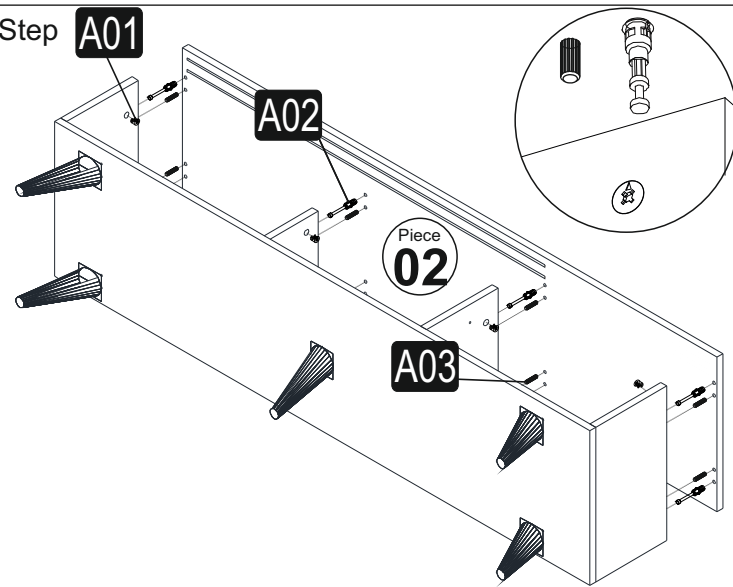
2. Step



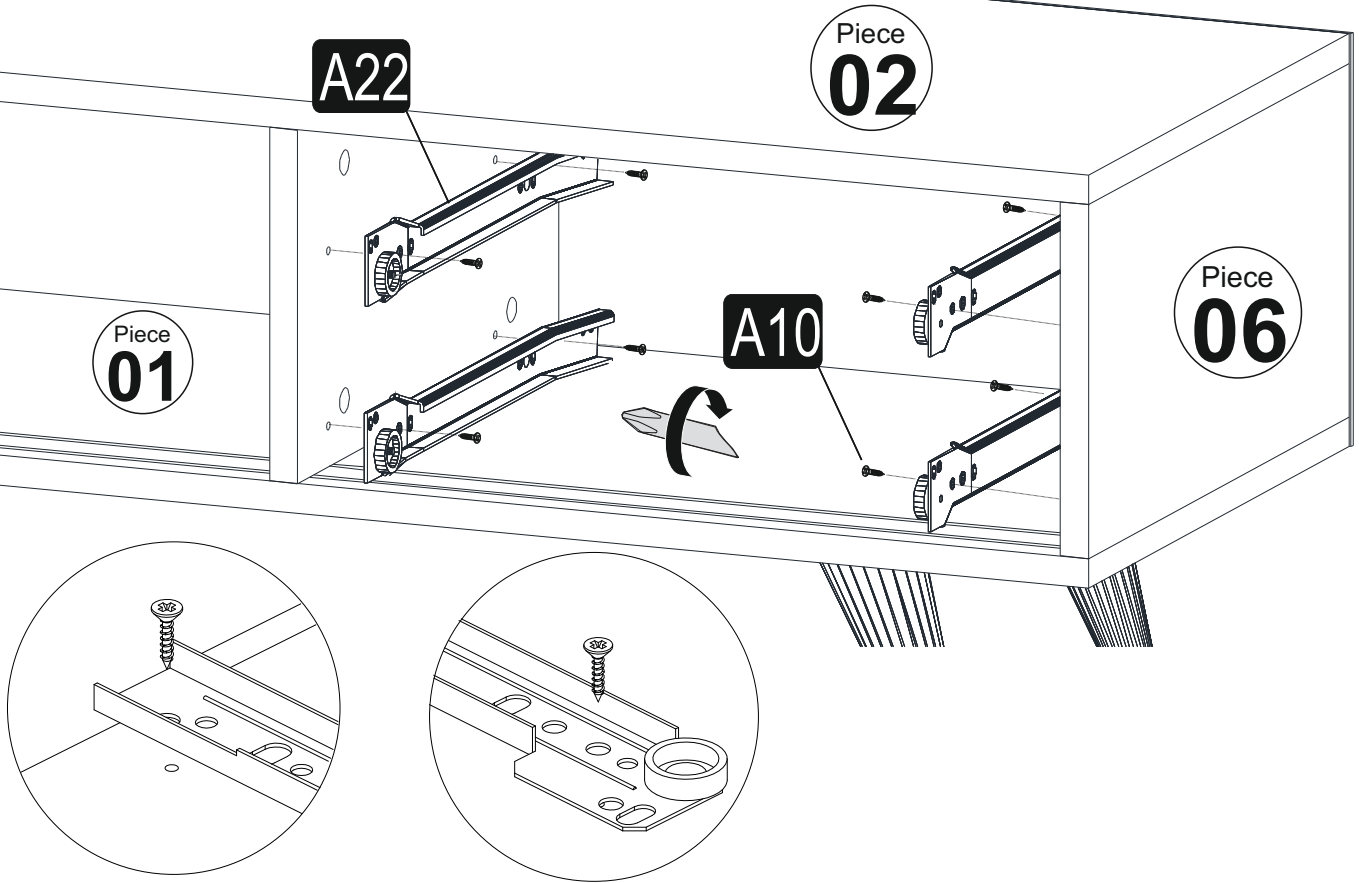
3. Step



4. Step

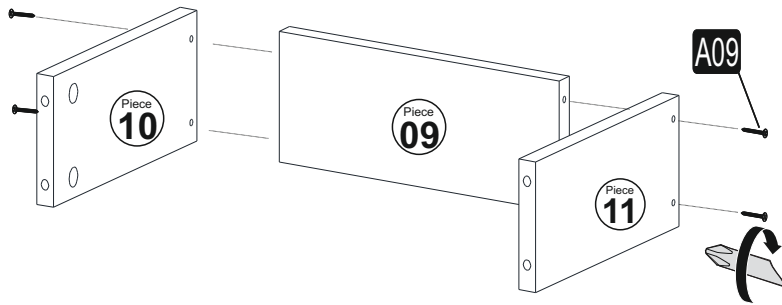


5. Step



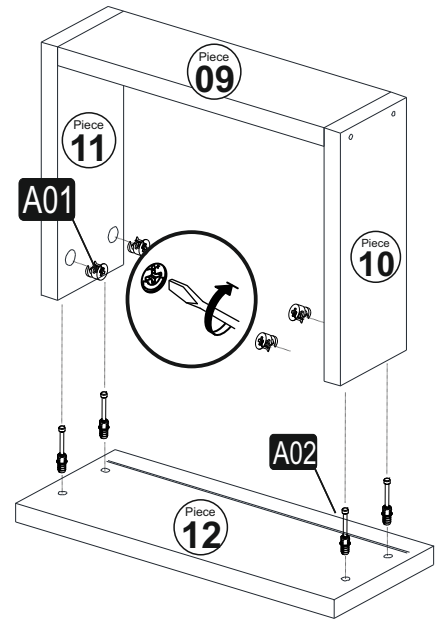
6. Step

2x



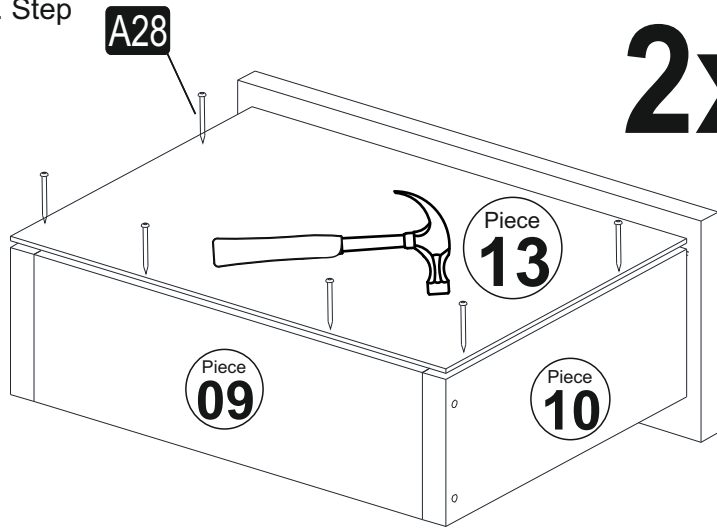
7. Step

2x



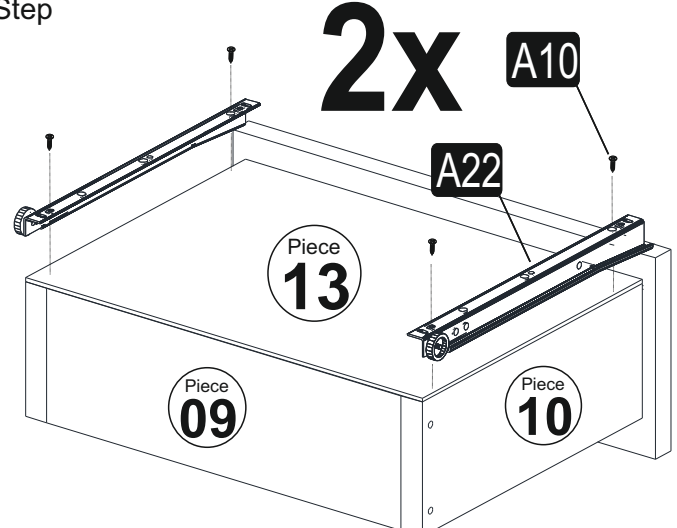
8. Step

2x



9. Step

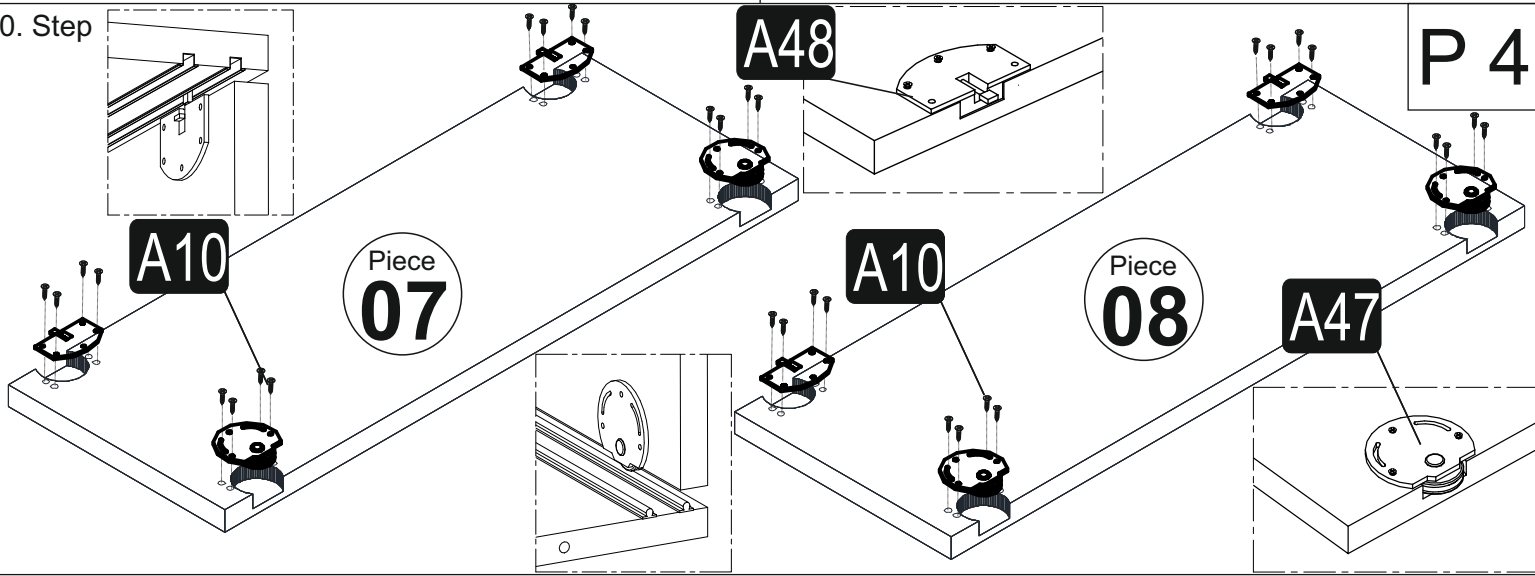
2x



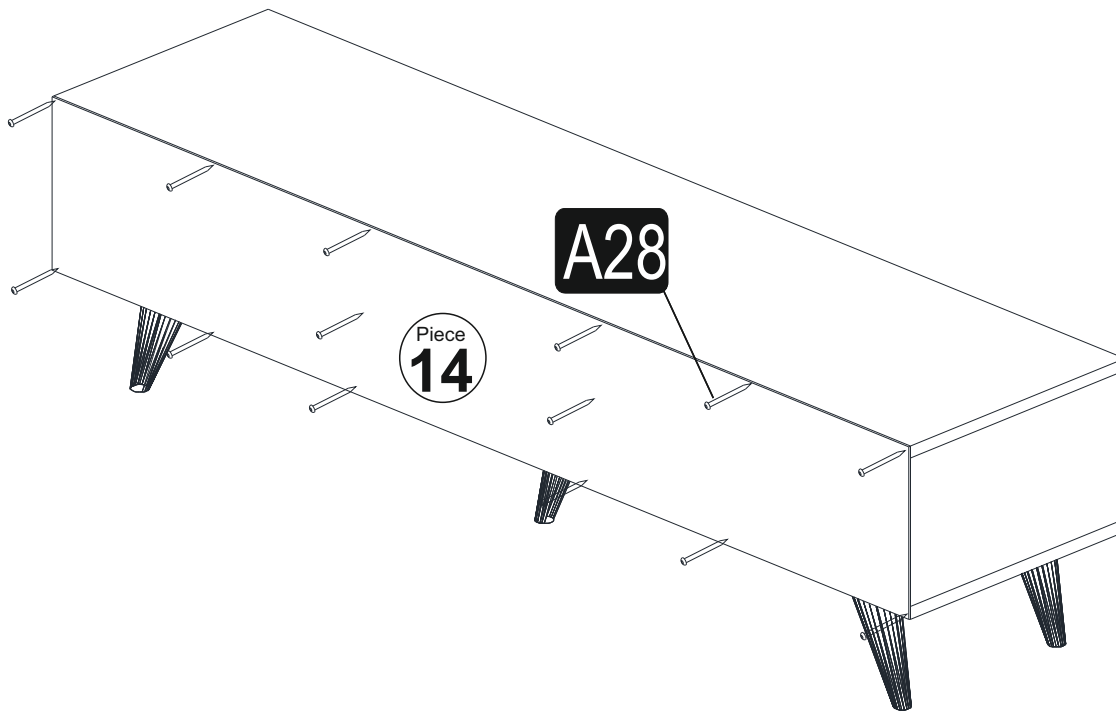
Assembly Manual

Eduardo TV Unit

10. Step



11. Step



12. Step

