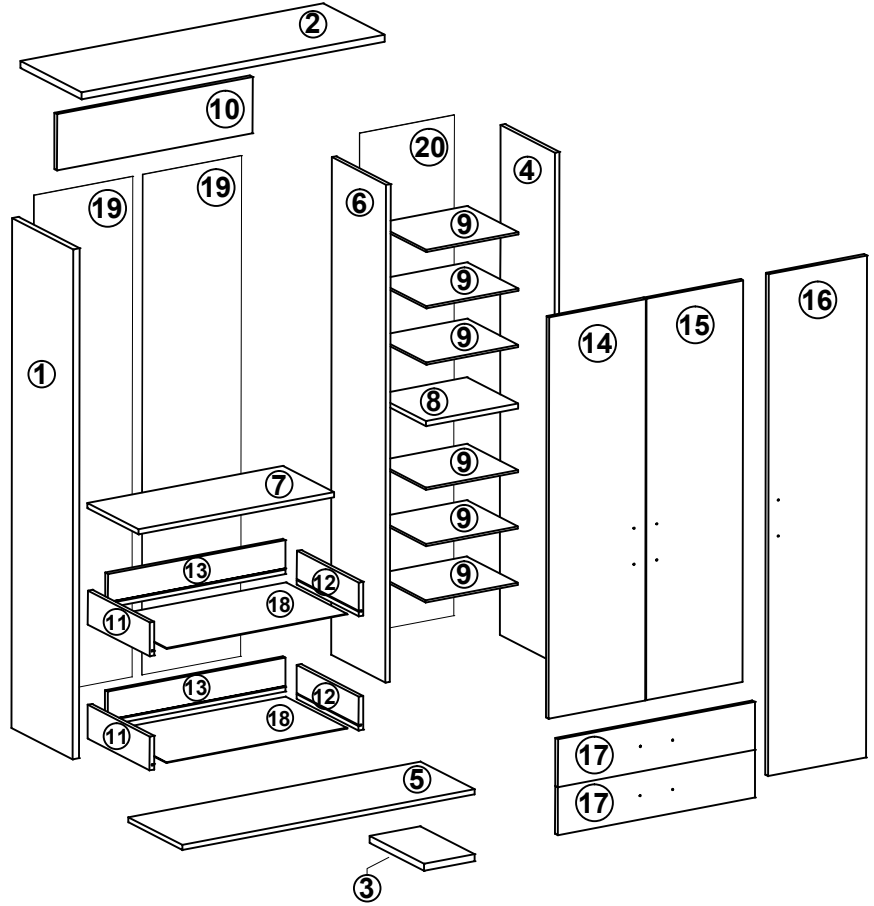
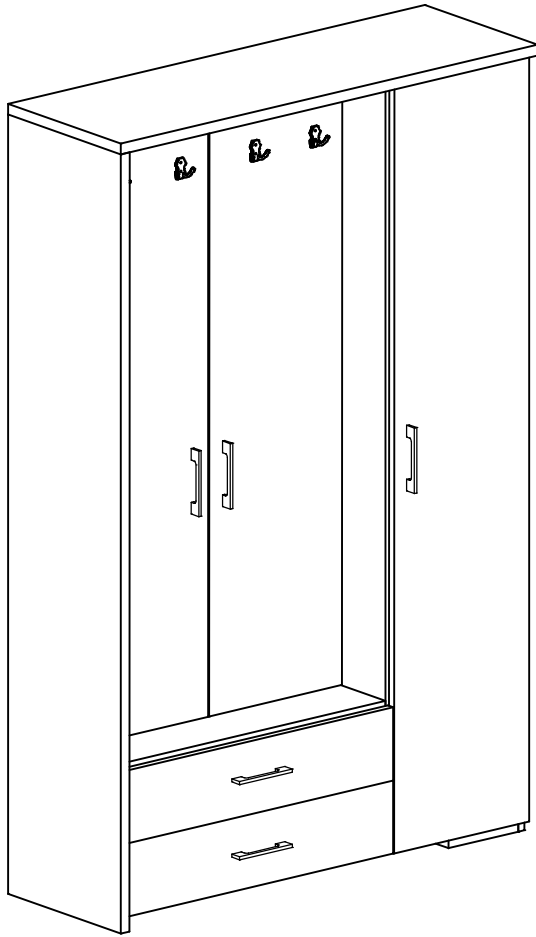


MONTAJ TALİMATLARI ASSEMBLY MANUAL

DENİZ PORTMANTO
DENİZ COAT RACK

S1



| NO | PIECES | THICKNESS | LENGTH | WIDTH | PCS | NO | PIECES | THICKNESS | LENGTH | WIDTH | PCS |
|----|-------------------|-----------|--------|-------|-----|----|------------------------|-----------|--------|-------|-----|
| 1 | YAN (SOL) | 18 | 1803 | 400 | 1 | 11 | ÇEKMECE YAN (SOL) | 18 | 300 | 110 | 2 |
| 2 | ÜST TABLA | 18 | 1191 | 400 | 1 | 12 | ÇEKMECE YAN (SAĞ) | 18 | 300 | 110 | 2 |
| 3 | DOLAP AYAK | 18 | 350 | 300 | 1 | 13 | ÇEKMECE ARKA | 18 | 711 | 110 | 2 |
| 4 | YAN (SAĞ) | 18 | 1803 | 350 | 1 | 14 | KAPAK KÜÇÜK (SOL) | 18 | 1423 | 383 | 1 |
| 5 | ALT TABLA | 18 | 1155 | 350 | 1 | 15 | KAPAK KÜÇÜK (SAĞ) | 18 | 1423 | 383 | 1 |
| 6 | DİKME | 18 | 1767 | 350 | 1 | 16 | KAPAK BÜYÜK | 18 | 1782 | 388 | 1 |
| 7 | SABİT RAF (BÜYÜK) | 18 | 773 | 330 | 1 | 17 | ÇEKMECE KLAPA | 18 | 779 | 170 | 2 |
| 8 | SABİT RAF (KÜÇÜK) | 18 | 364 | 330 | 1 | 18 | ÇEKMECE TABAN - 3 mm | 3 | 721 | 292 | 2 |
| 9 | RAF - 8 mm | 8 | 364 | 330 | 6 | 19 | ARKALIK (SOL) - 3 mm | 3 | 1777 | 390 | 2 |
| 10 | ASKI PANOSU | 18 | 773 | 170 | 1 | 20 | ARKALIK (SAĞ) - 3 mm | 3 | 1777 | 374 | 1 |

ACCESSORY LIST

| | | | | | | | | |
|--------------|---------------|-------|--------|-------|-------------|-------------|-------------|--------------|
| | | | | | | | | |
| MINIFIX BODY | MINIFIX SCREW | DOWEL | SCREW | SCREW | HANGER HOOK | HANGER HOOK | CORNER BACK | DRAWER SLIDE |
| | | | | | | | | |
| HINGE | HINGE | HINGE | HANDLE | SCREW | BACK H BAR | SCREW | SHELF PIN | DRAWER SLIDE |

Dear Customer,

The product you bought was subjected to all sorts of tests and control before sending out to you. Even in this situation, sometimes happen that some component is damaged during the transportation. In such case please do not send the whole article back to us. Just request/order the damaged part. While requesting the required part, describe it exactly by looking to service card. Missing part will be sent to you as soon as possible. Before start assembling, please check the whole components and accessories according to the lists. After being sure that every part and accessory are okay and right, start assembling. Before start assembling, please clean all the components with a damp cloth. If you bought more than one product, to prevent confusion be sure that you completed the first product. Then start the other product's assembling. Never draw the products. While carrying, disassociate and lift the product and carry with minimum 2 people. For long distances carry the product with the package.

It is very easy to clean the surfaces of your product. It is enough to wipe with a damp and soapy cloth or other household cleaners.

Do not directly contact your furniture with excessive heat, cold and humidity because the product can be affected.

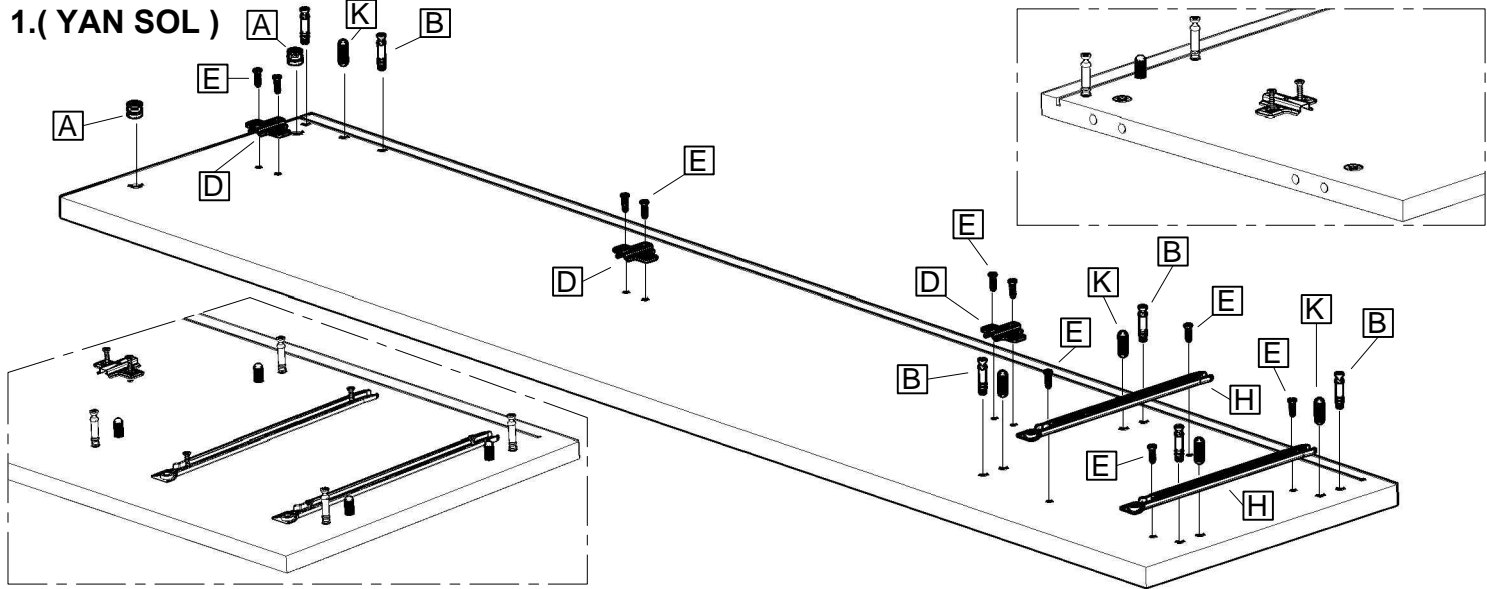
Do not use your furniture for out of purposes.

MONTAJ TALİMATLARI ASSEMBLY MANUAL

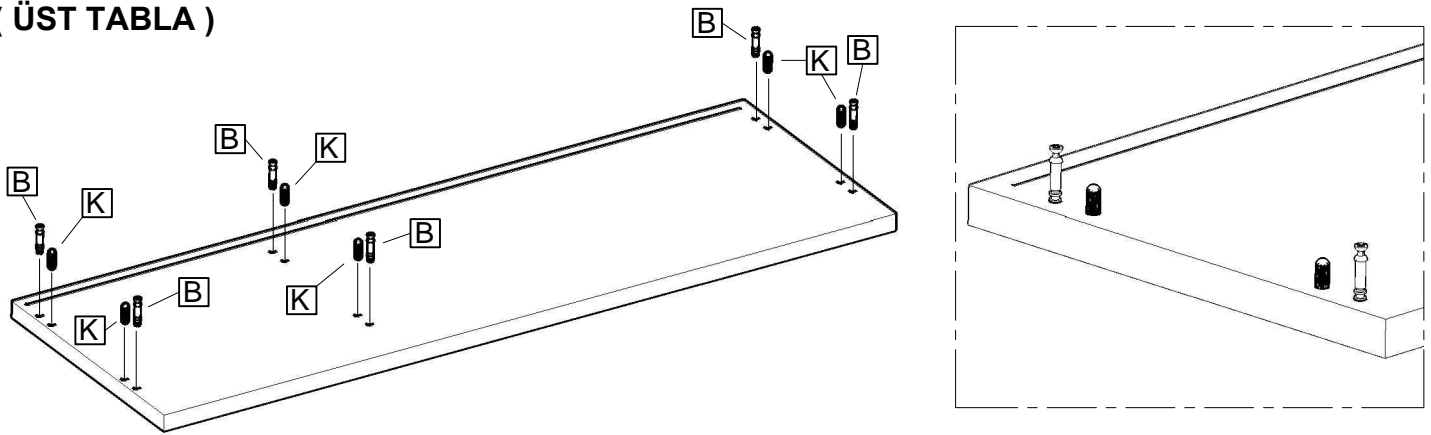
DENİZ PORTMANTO
DENİZ COAT RACK

S2

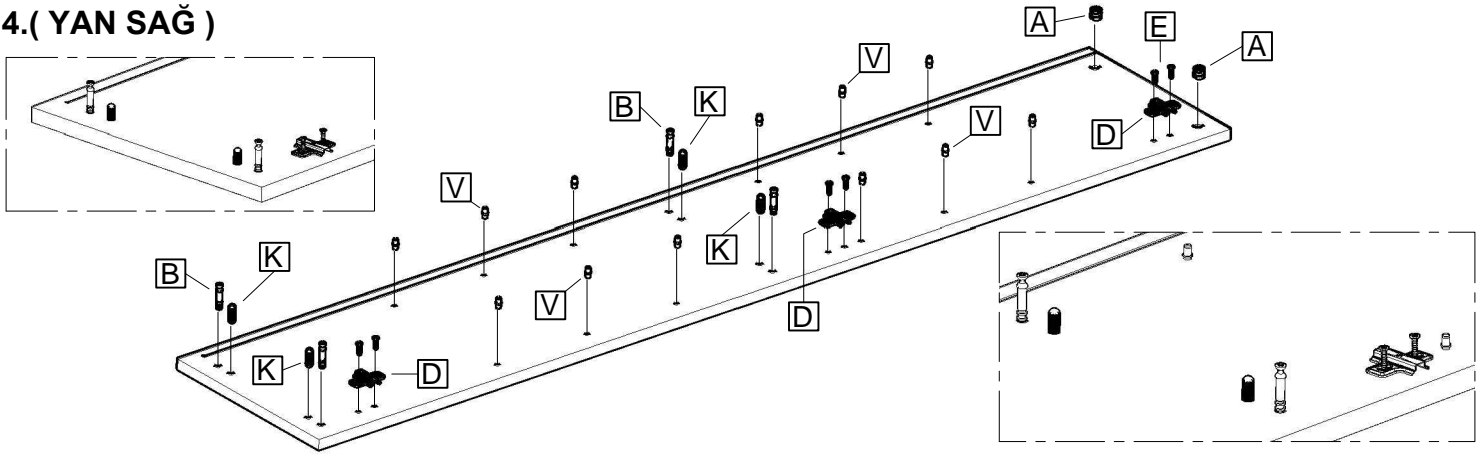
1.(YAN SOL)



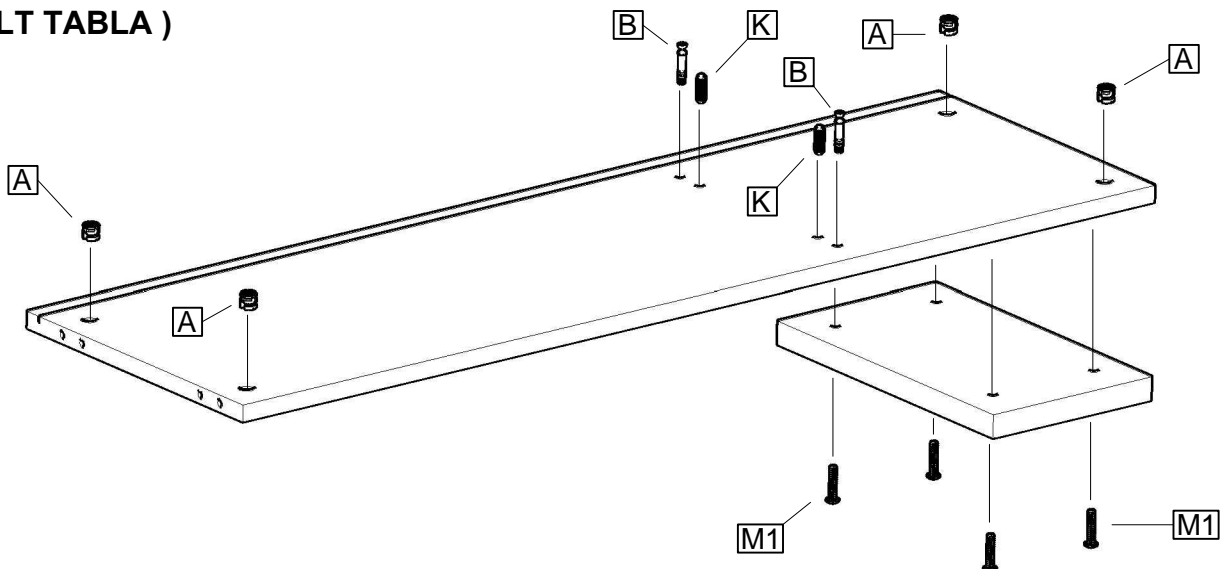
2.(ÜST TABLA)



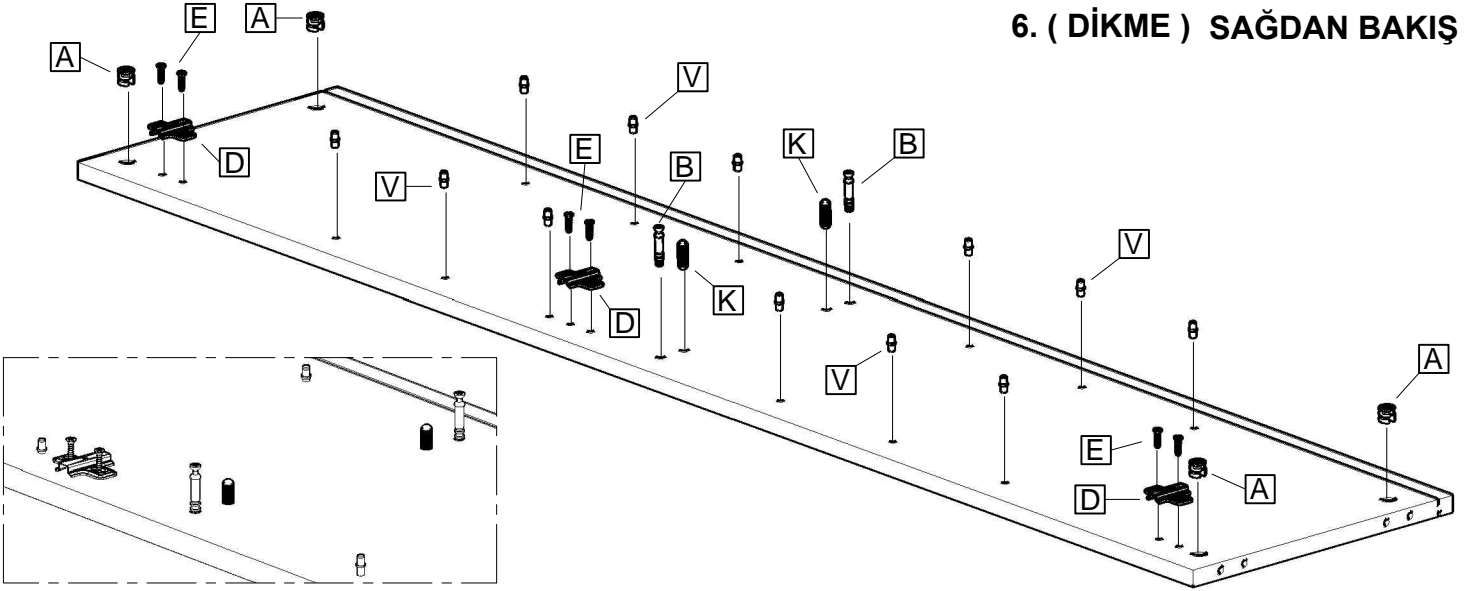
4.(YAN SAĞ)



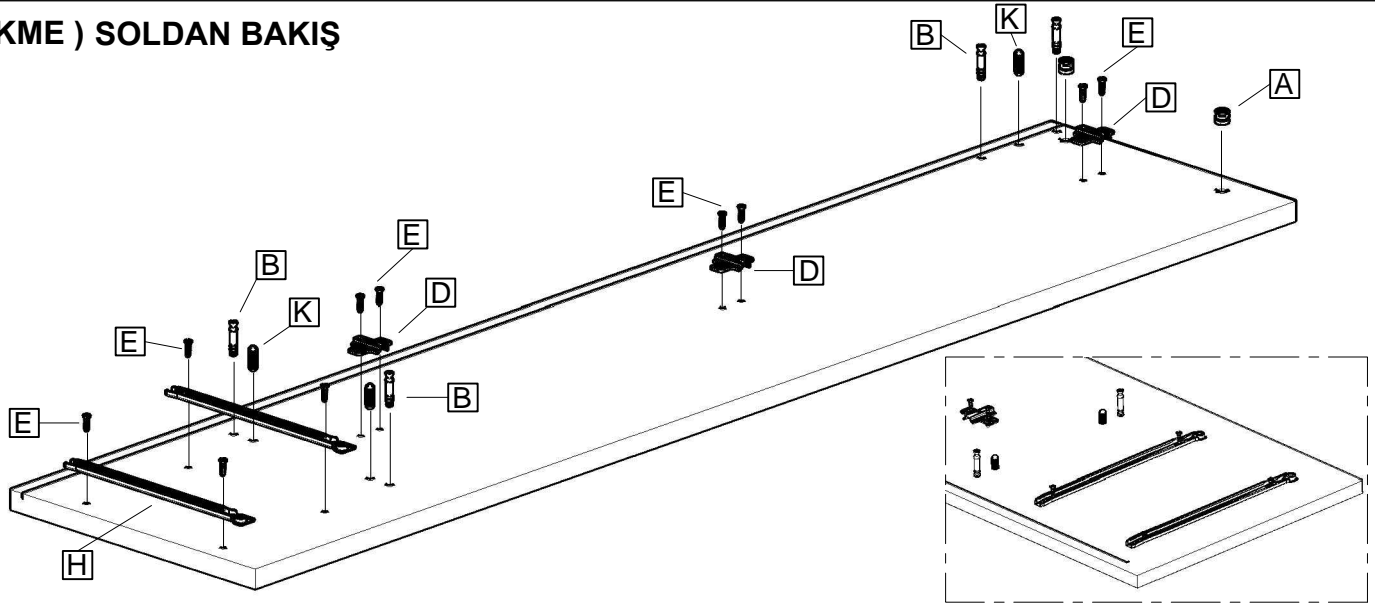
5.(ALT TABLA)



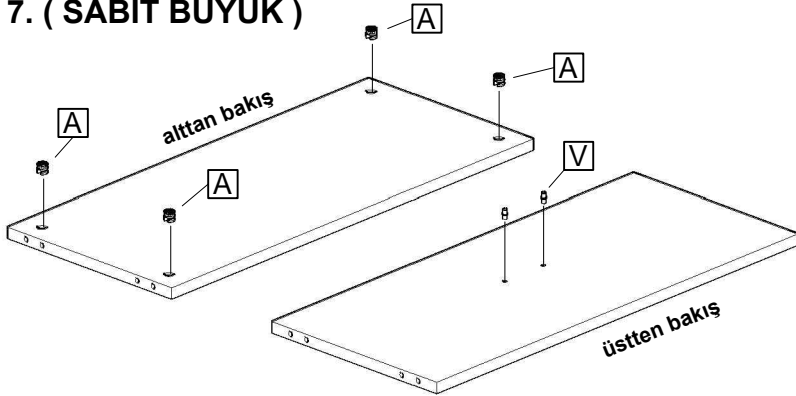
6. (DİKME) SAĞDAN BAKIŞ



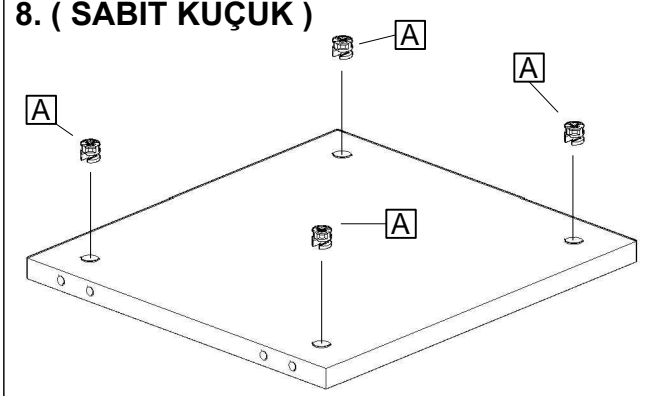
6. (DİKME) SOLDAN BAKIŞ



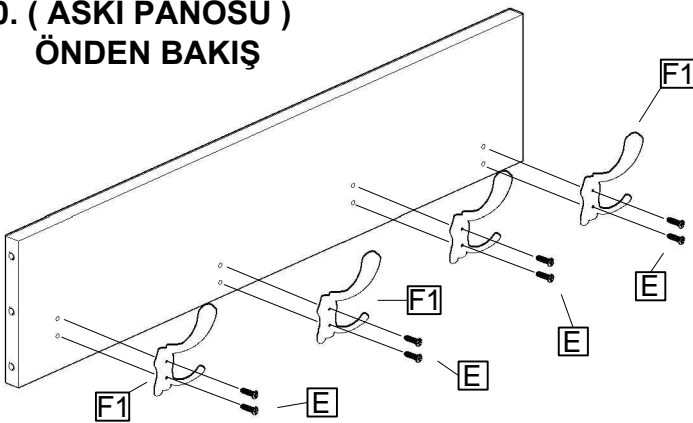
7. (SABİT BÜYÜK)



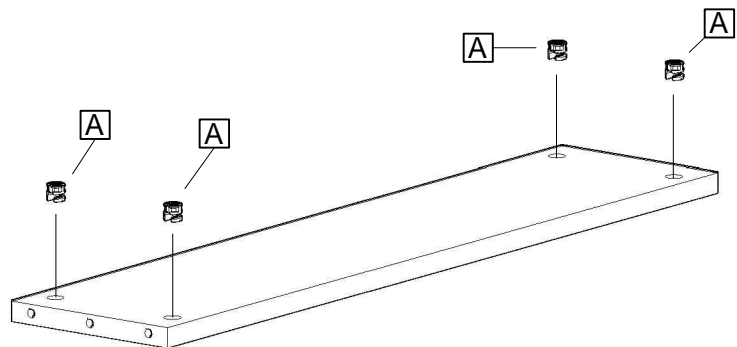
8. (SABİT KÜÇÜK)



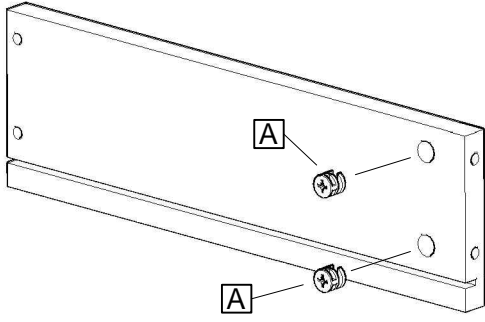
10. (ASKI PANOSU) ÖNDEN BAKIŞ



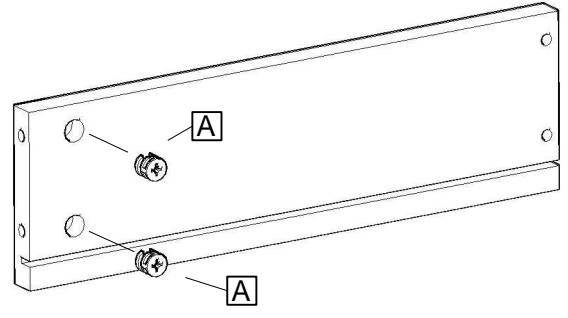
10. (ASKI PANOSU) ARKADAN BAKIŞ



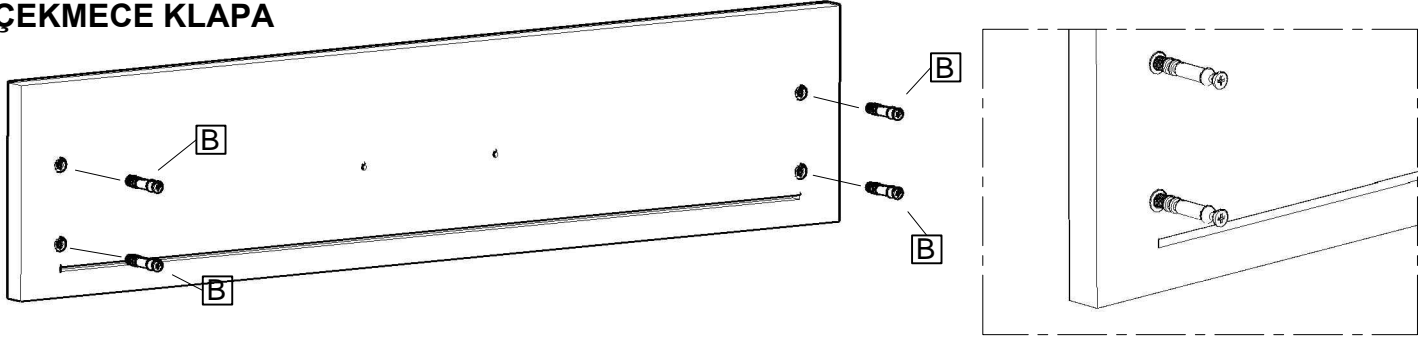
12.ÇEKMECE YAN (SAĞ)



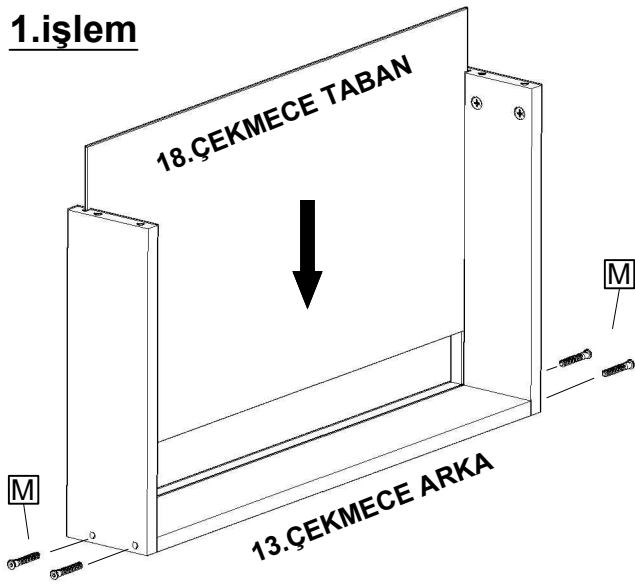
11.ÇEKMECE YAN (SOL)



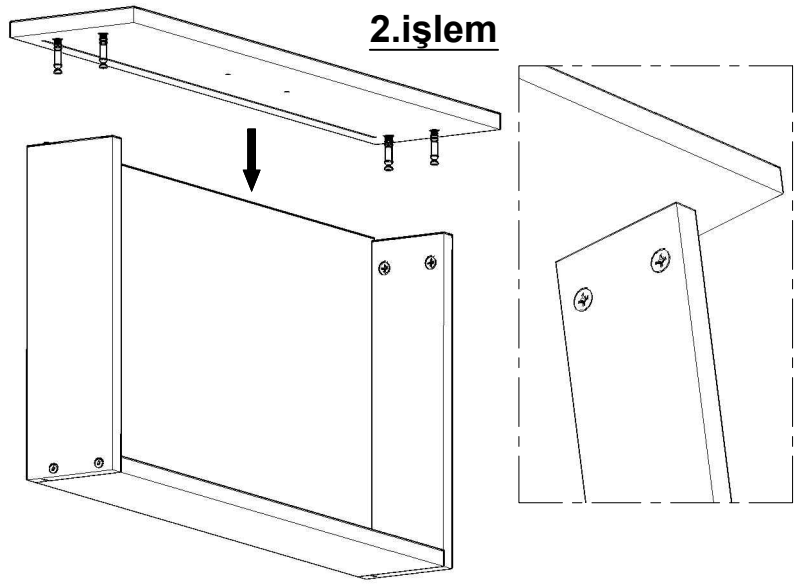
17.ÇEKMECE KLAPA



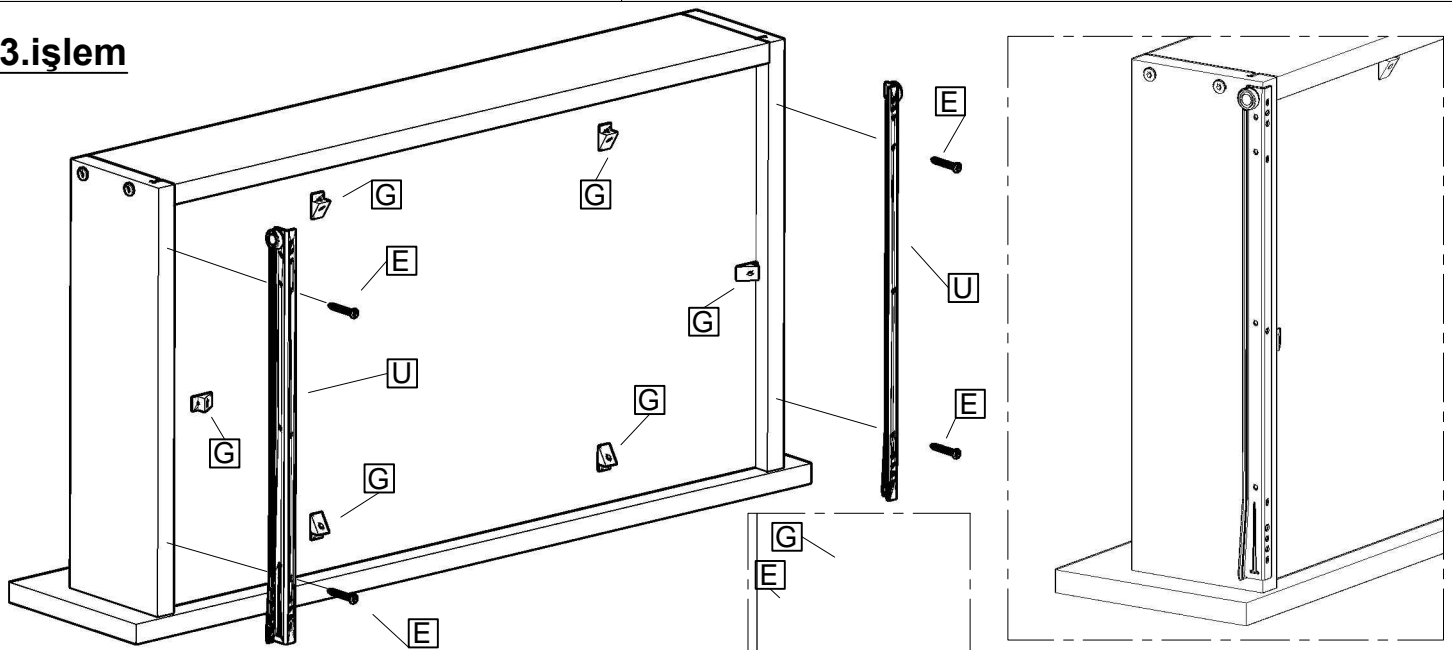
1.işlem



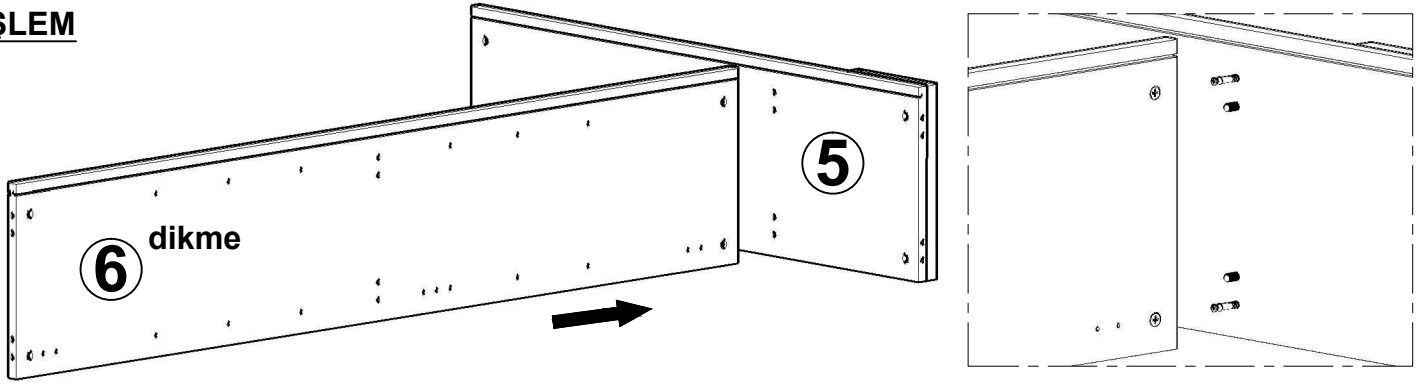
2.işlem



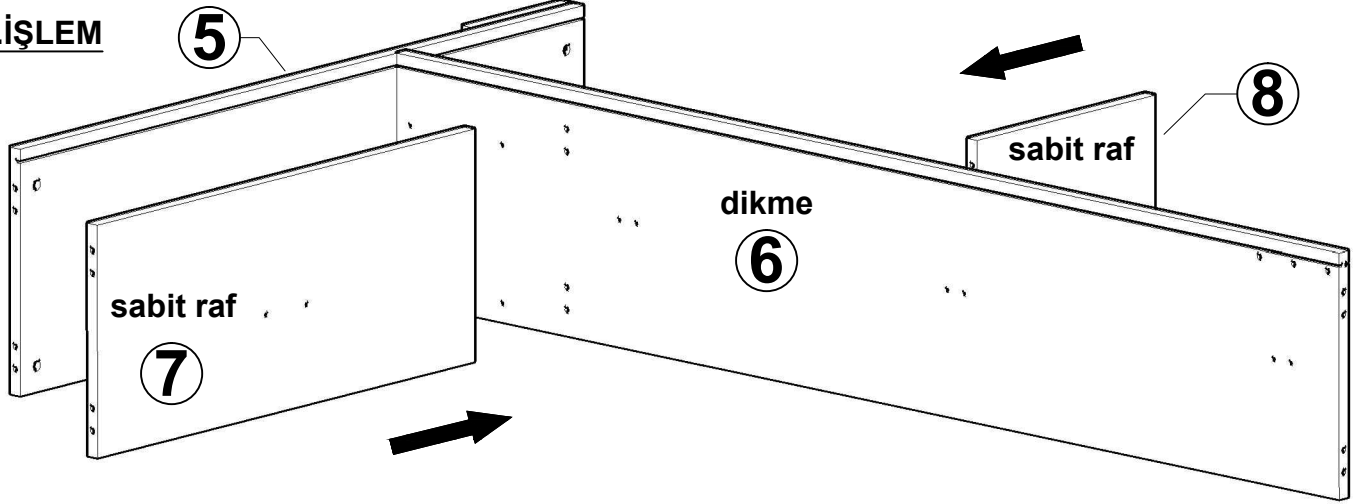
3.işlem



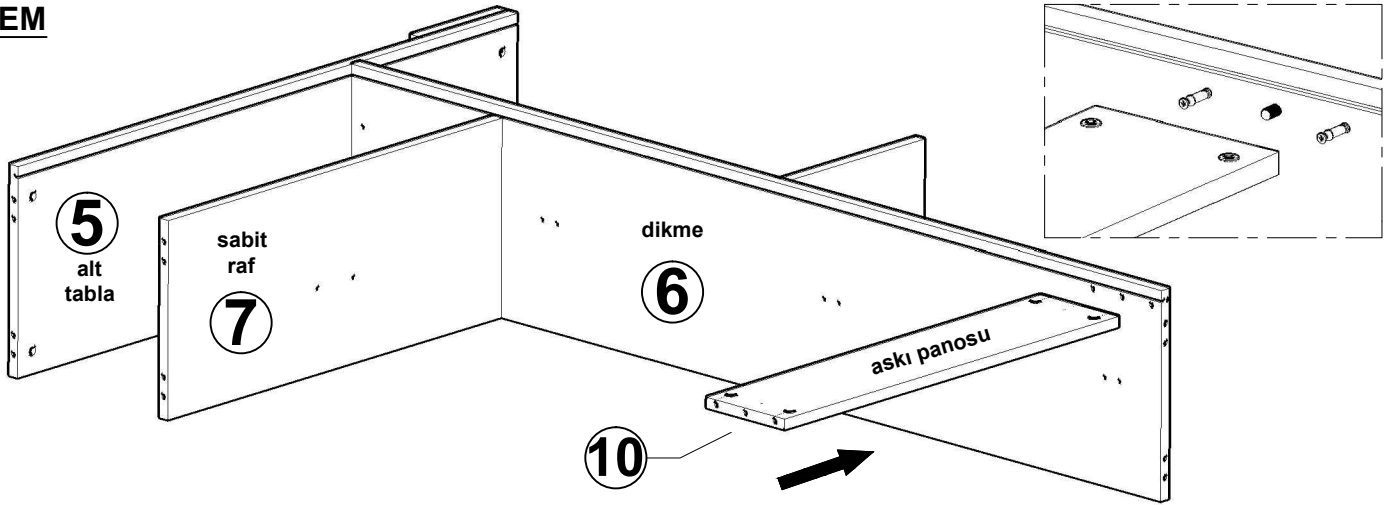
1.İŞLEM



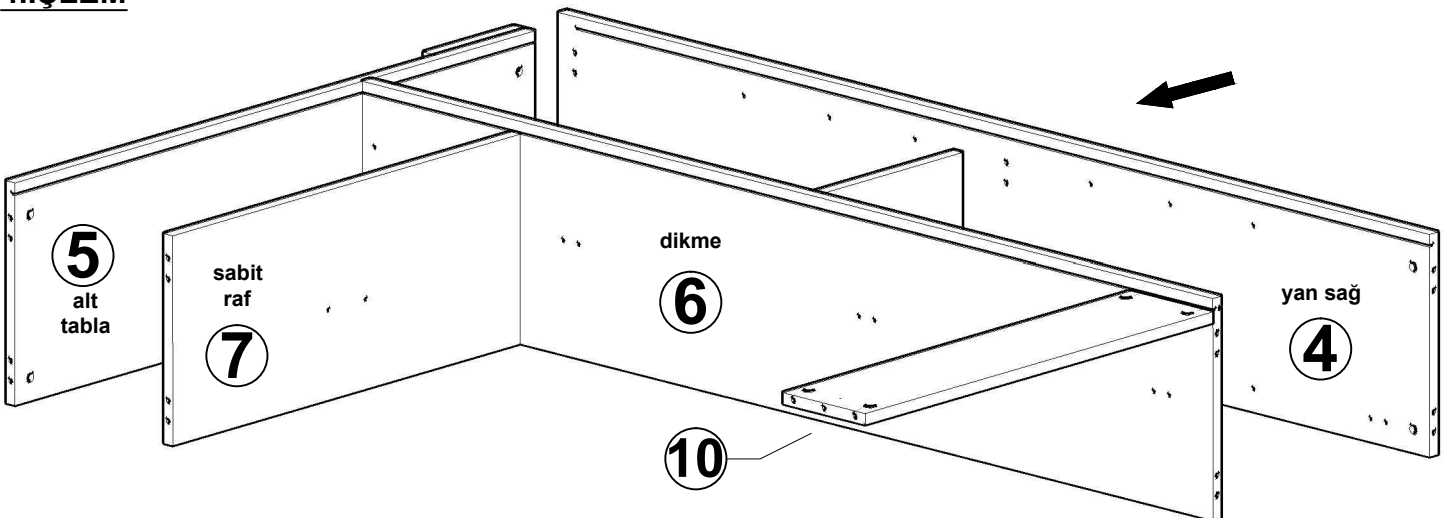
2.İŞLEM



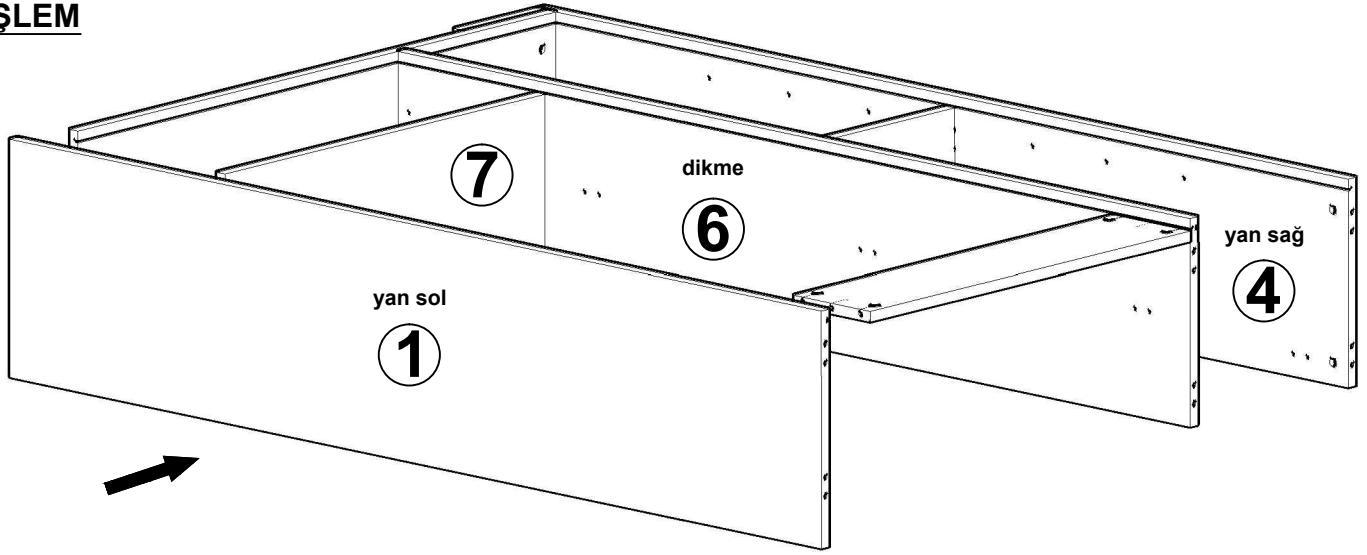
3.İŞLEM



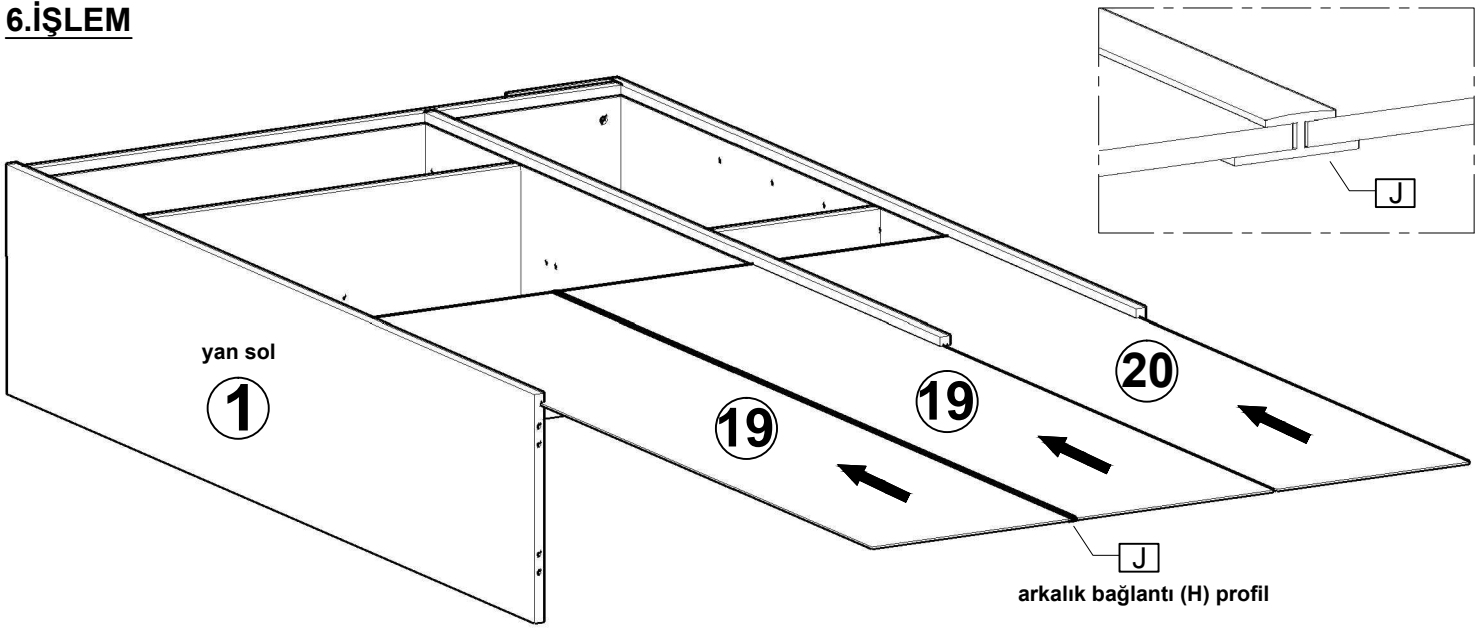
4.İŞLEM



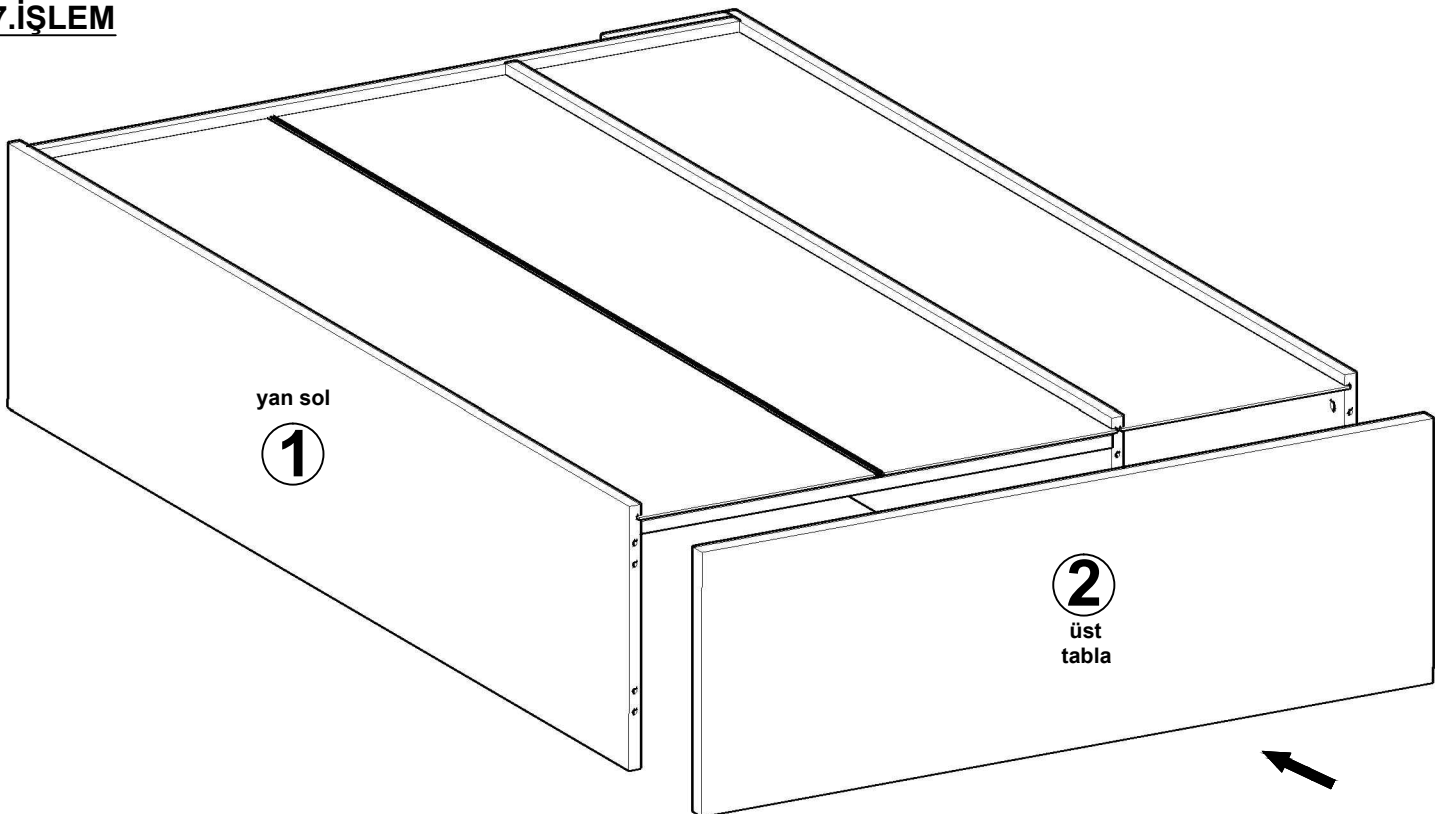
5.İŞLEM



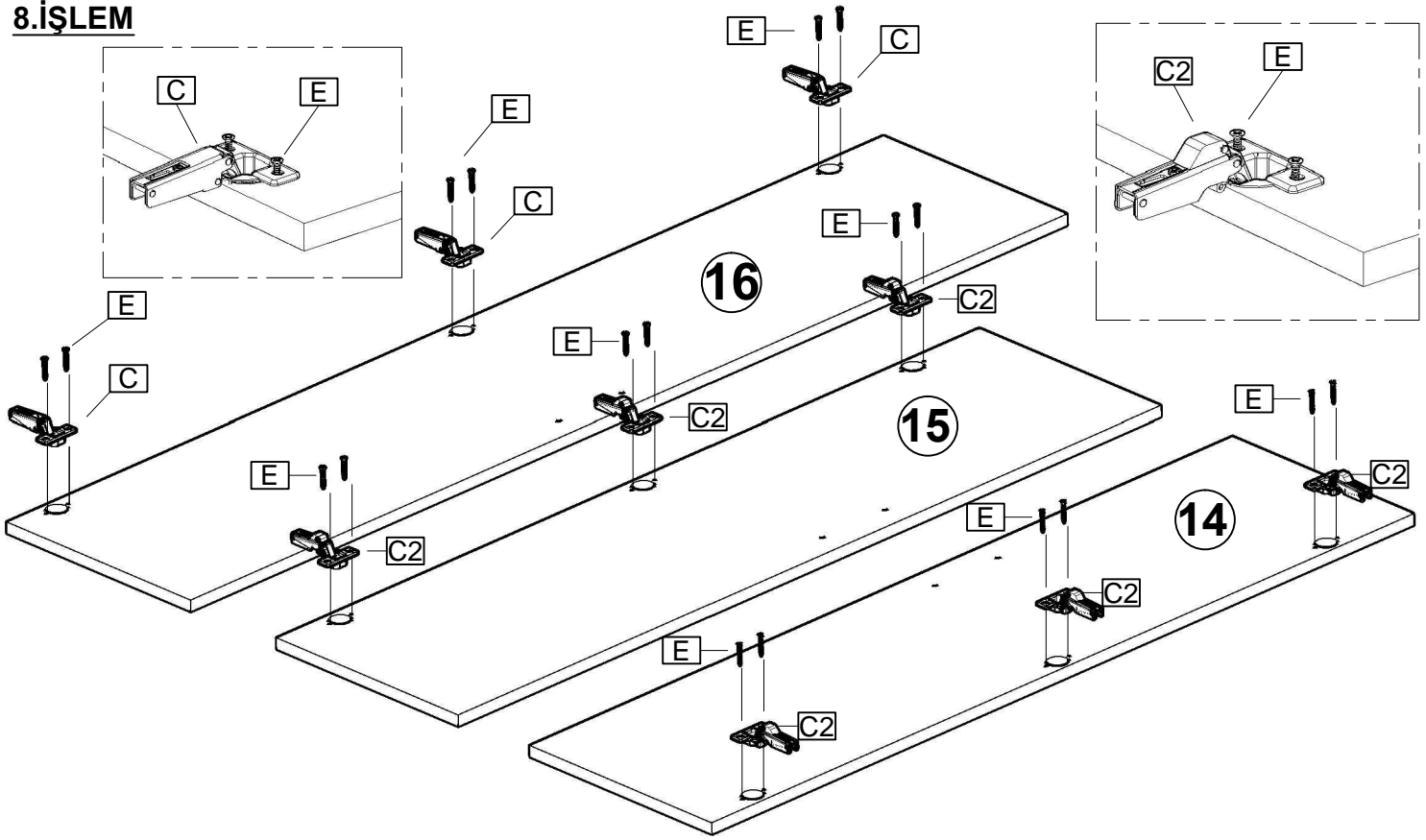
6.İŞLEM



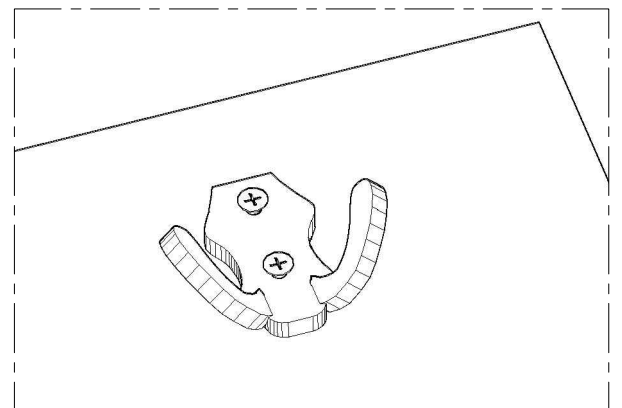
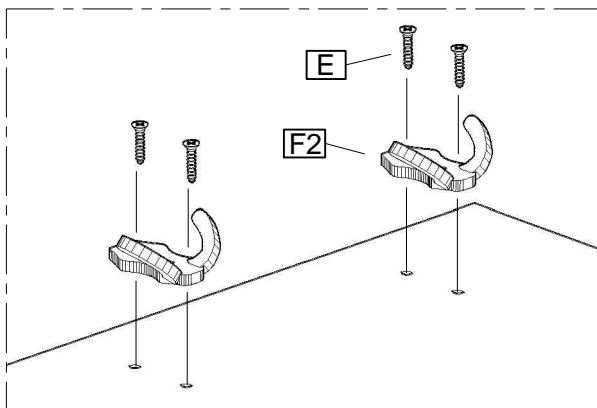
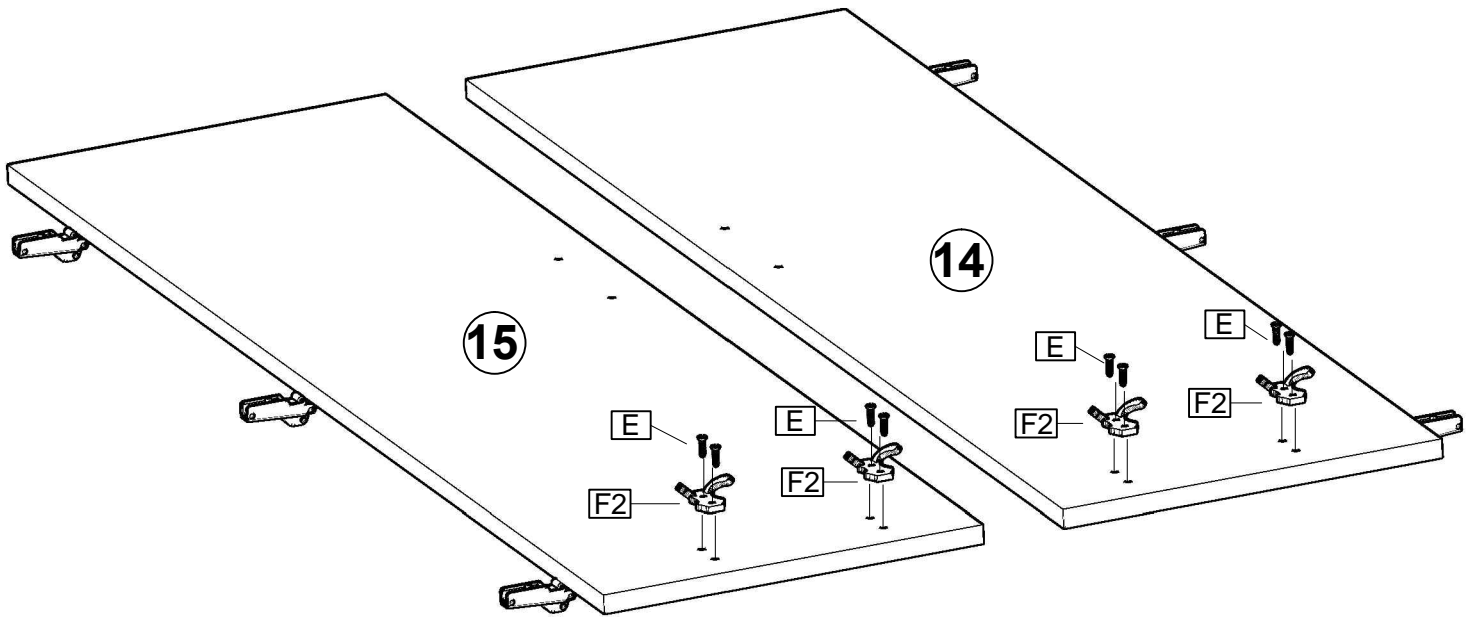
7.İŞLEM



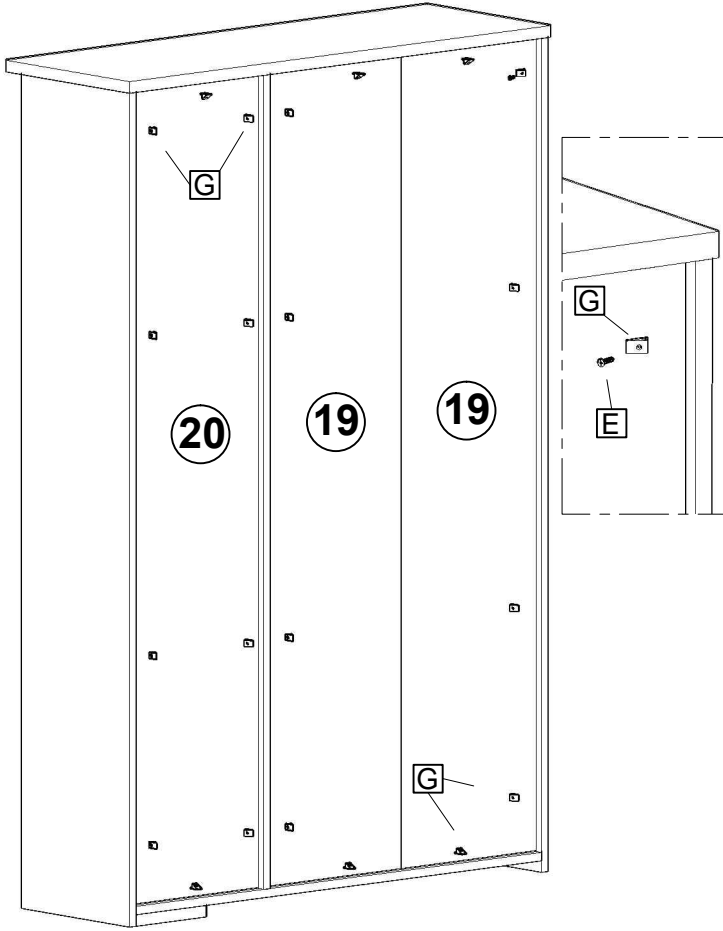
8.İŞLEM



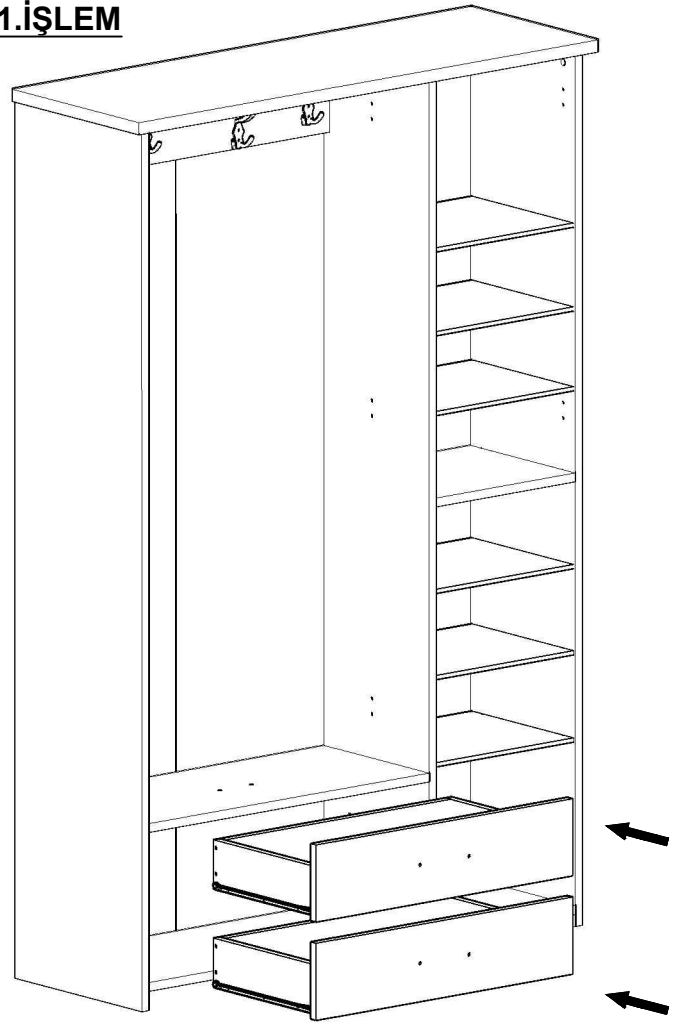
9.İŞLEM



10.İŞLEM



11.İŞLEM



12.İŞLEM

