

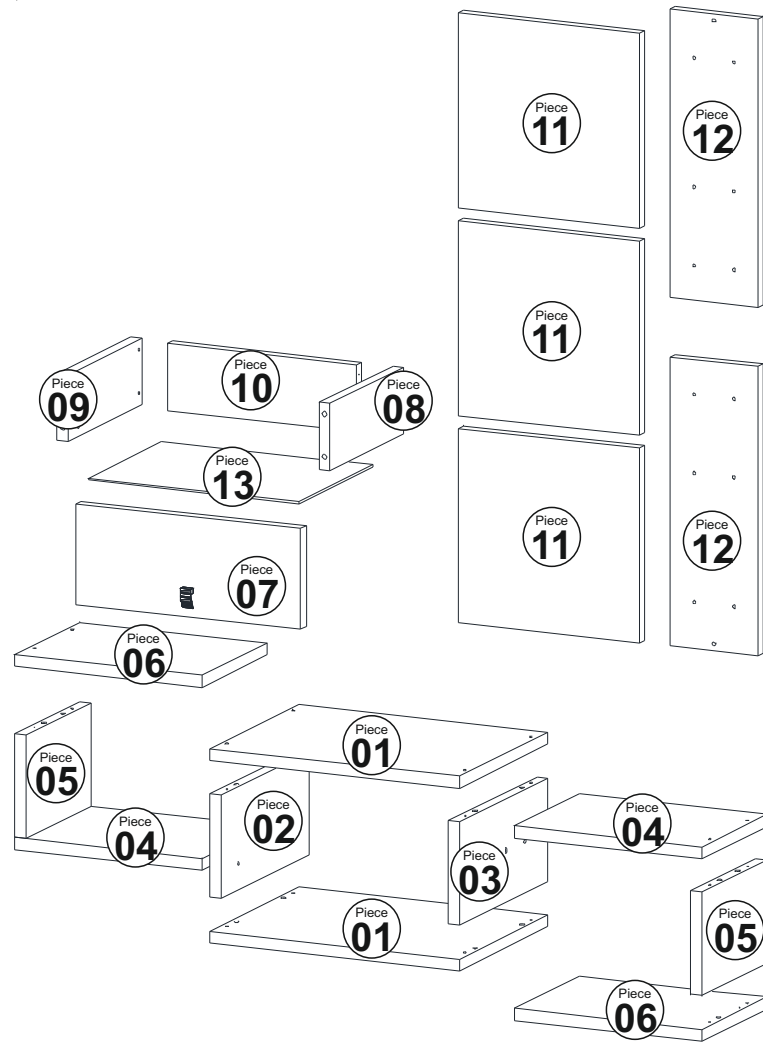
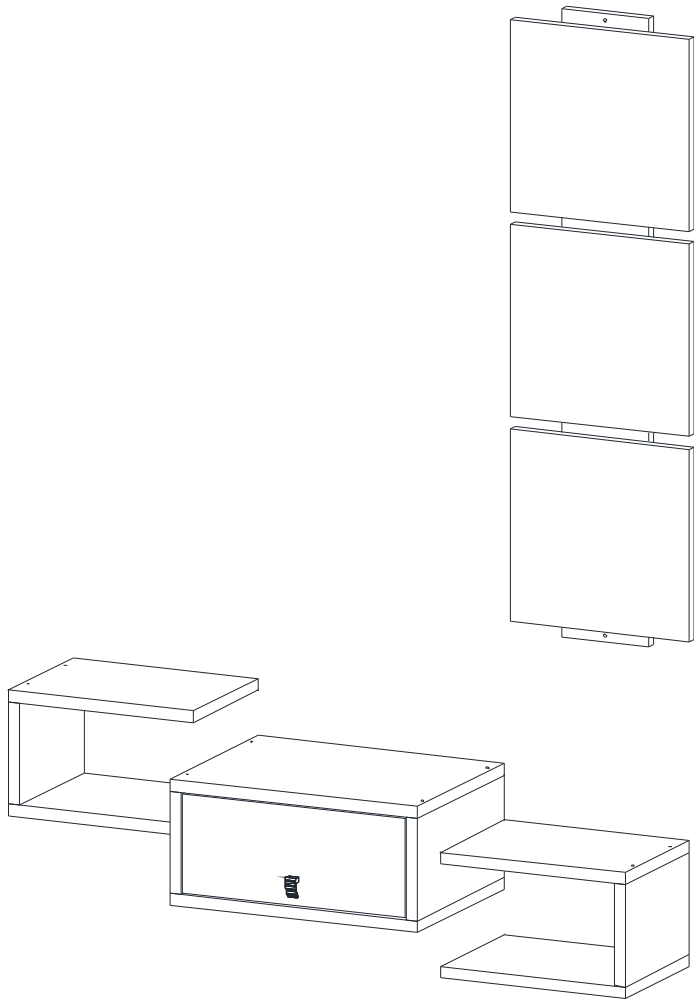
Assembly Manual

Dorado Dresuar

The necessary tools (not included)



P 1



ACCESSORY LIST

 Minifix A01 4x	 Minifix Screw A02 4x	 Dowel A03 22x	 L Hanger A07 4x	 3,5x18 Screw A10 12x	 3,5x30 Screw A51 12x
 8 mm Pin A08 6x	 4x70 Screw A45 2x	 25 cm Drawer Slide A22 1x	 4x50 Screw A09 28x	 Handle + Screw A50 1x	 Screw Tap A16 24x
					 Nail A28 6x

ASSEMBLY PIECES

NO	EN	BOY	KAL.	ADET
1	400	300	18	2
2	154	300	18	1
3	154	300	18	1
4	300	220	18	2
5	154	220	18	2
6	300	220	18	2
7	360	150	18	1
8	250	100	18	1
9	250	100	18	1
10	302	100	18	1
11	290	290	18	3
12	430	140	18	2
13	255	337	3	1

Dear Customer,

The product you bought was subjected to all sorts of test and control before sending out to you. Even in this situation, sometimes happen that some component is damaged durin the transportation. In such please do not sent the whole article back us. Just request/order the damaged part. While requesting the required part, describe it exactly by looking to service card. Missing part will be sent you as soon as possible. Before start assembling, please check the whole components and accessories according to the lists. After being sure that every part and accessory are okay and right, start assembling. Before start assembling, please clean all the components with a damp cloth. If you bought more than one product, to prevent confusion be sure that you completed the first product. Then start the other product's assembling.

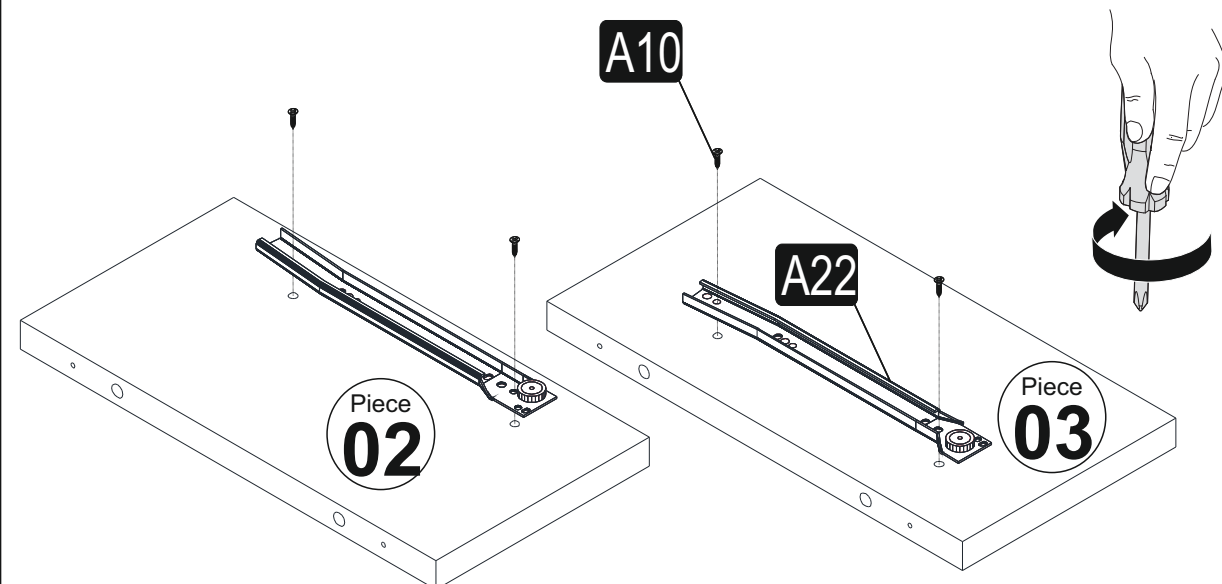
Never drag the products. While carrying, disassociate and lift the product and carry with minimum 2 people. For long distances carry the product with the package.

It is very easy to clean the surfaces of your product. It is enough to wipe a damp and soapy cloth or other household cleaners.

Do not directly contact your furniture with excessive heat, cold and humidity because the product can be affected.

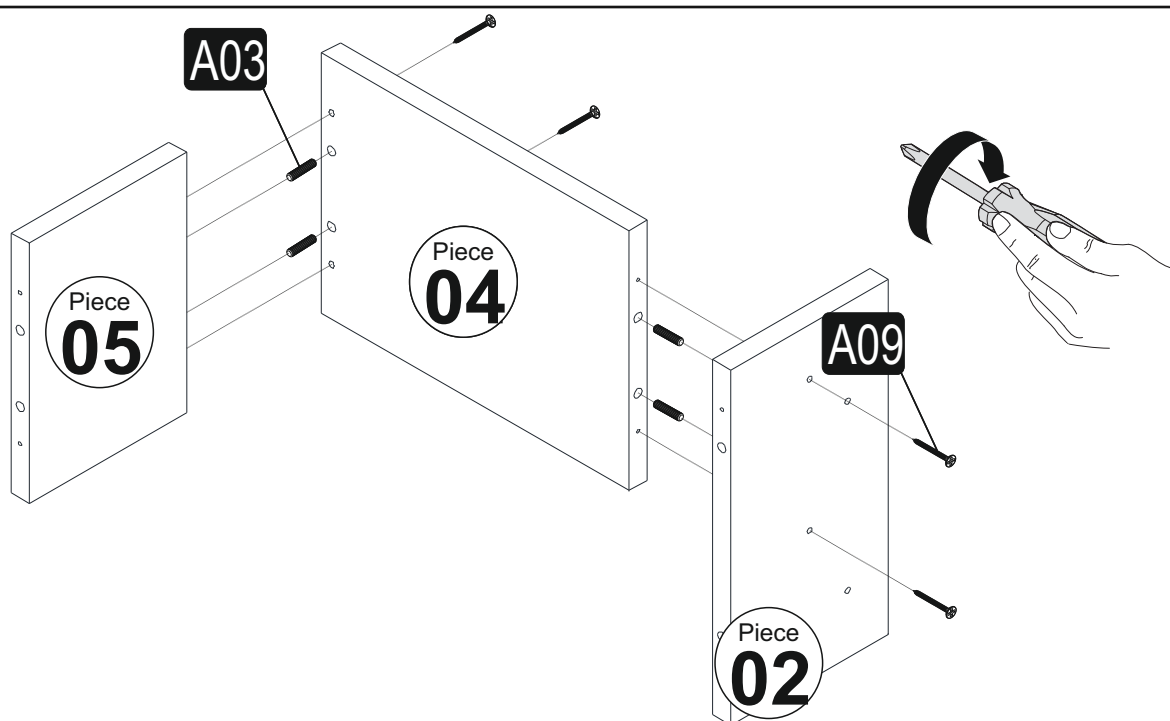
1. Step

P 2



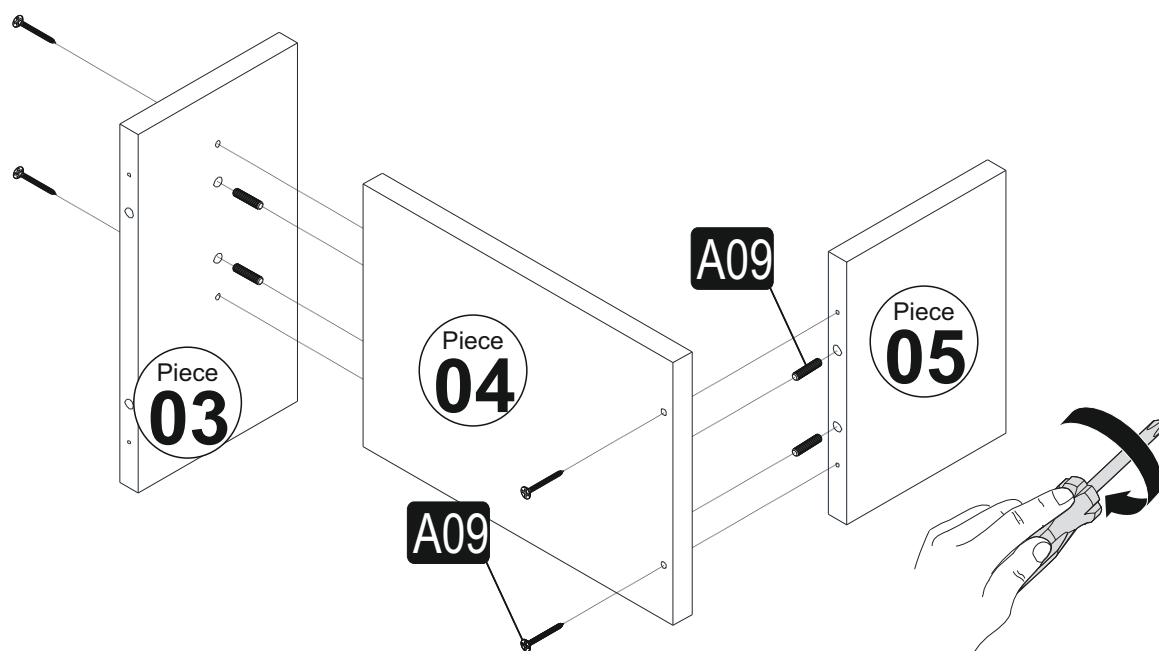
2. Step

Block
01



3. Step

Block
02

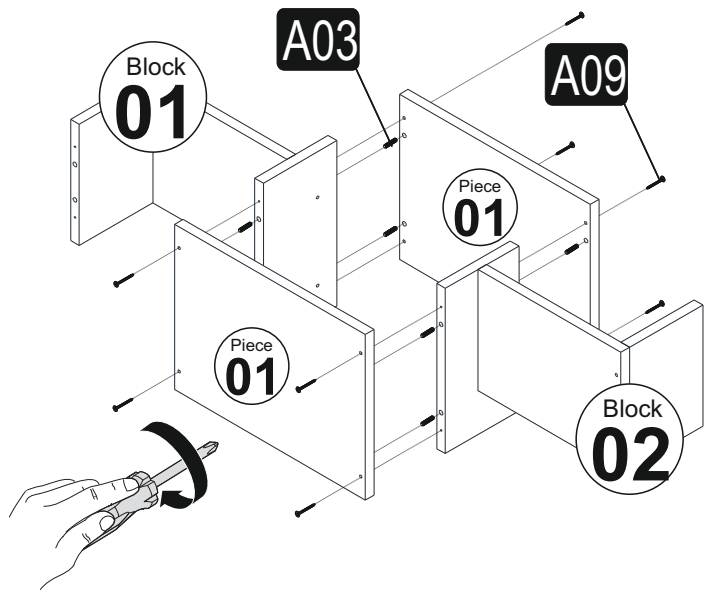


Assembly Manual

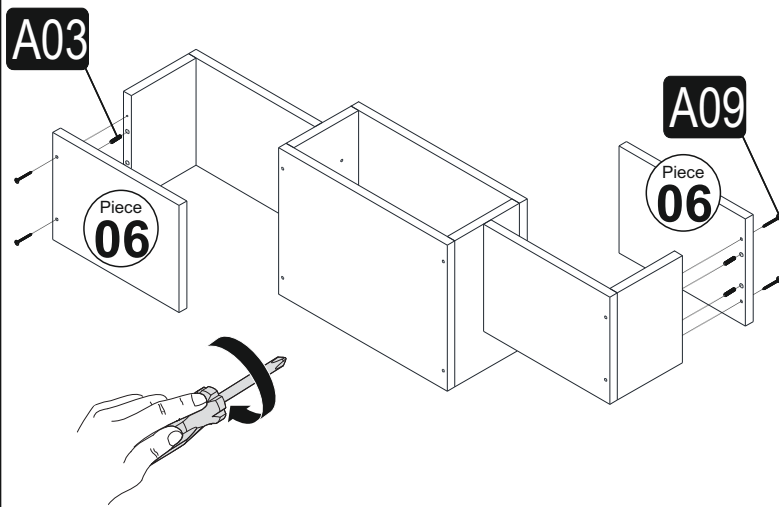
Dorado Dresuar

P 3

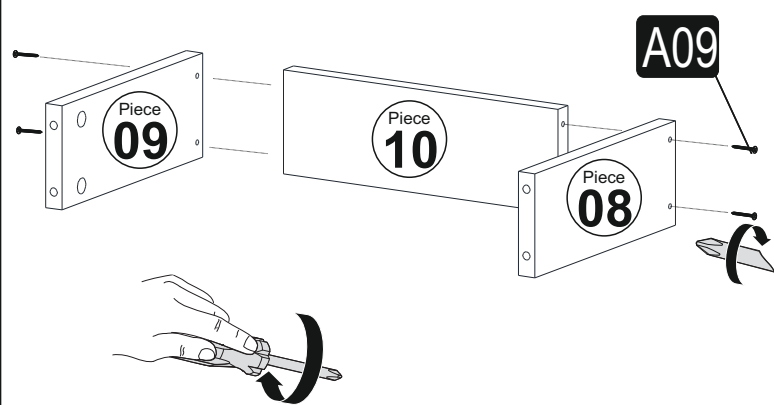
4. Step



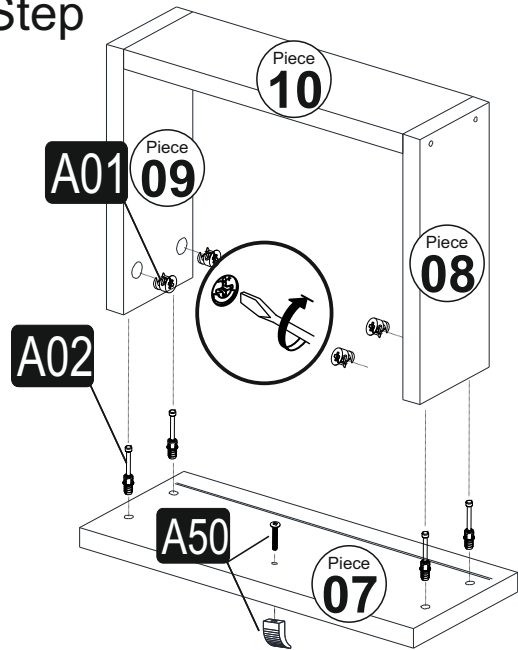
5. Step



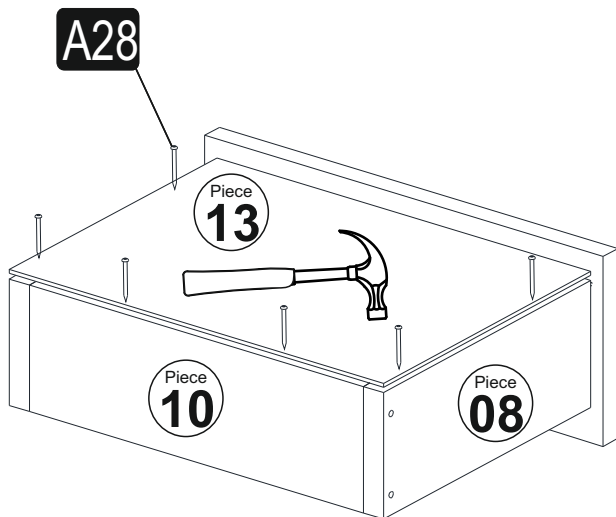
6. Step



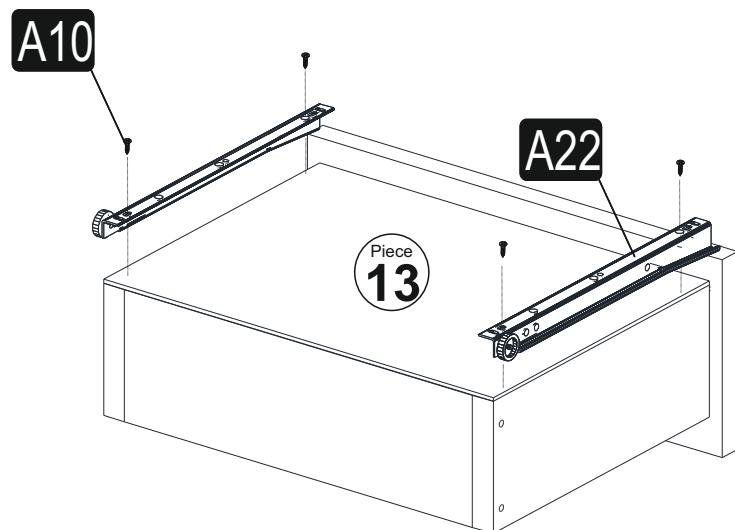
7. Step



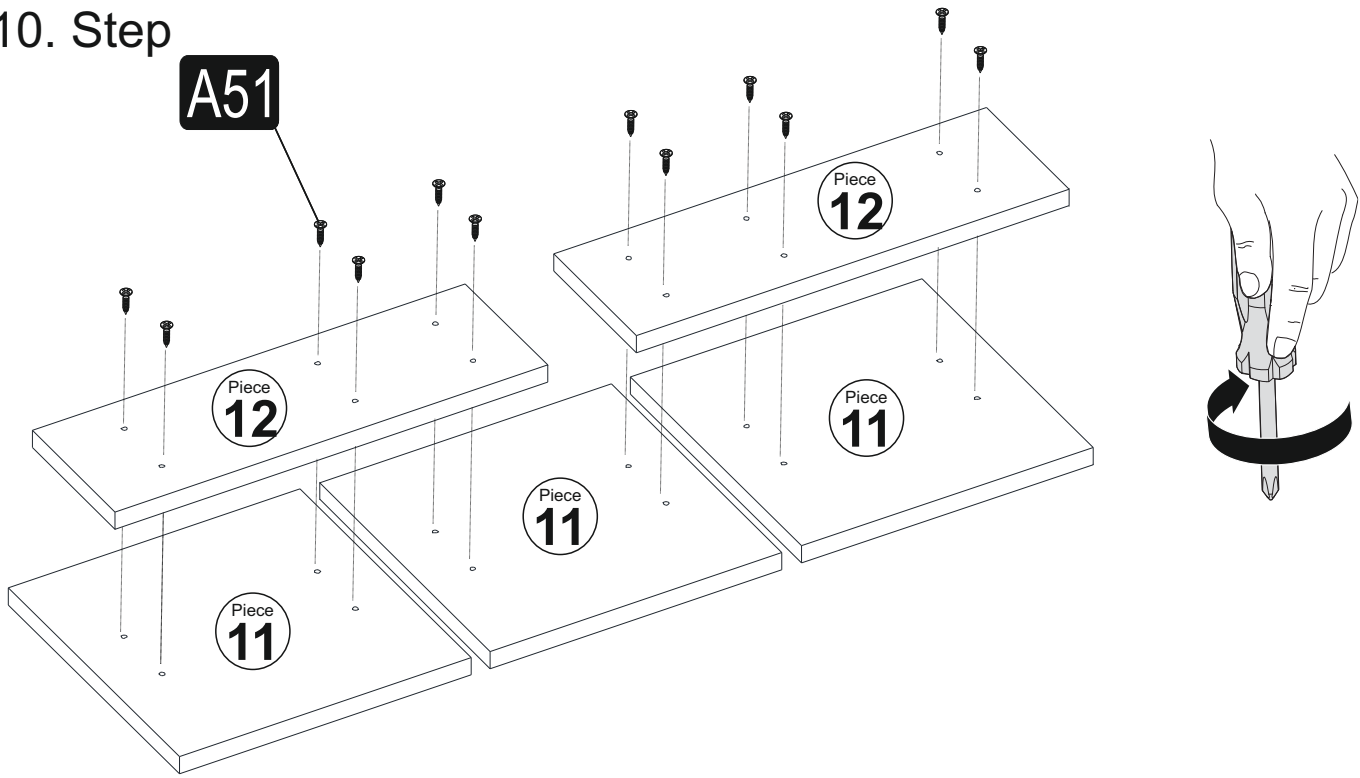
8. Step



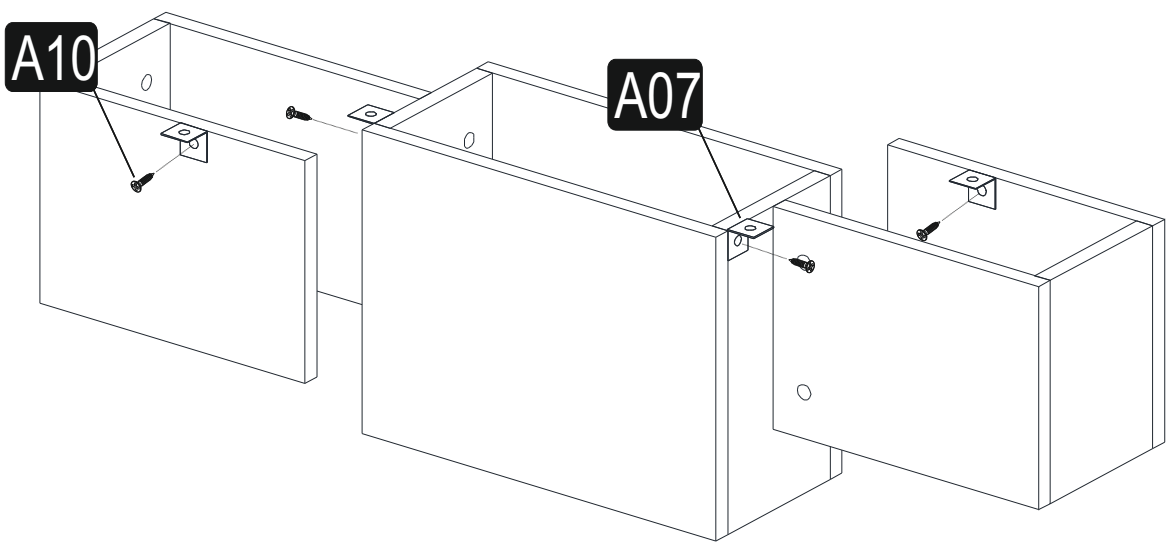
9. Step



10. Step



11. Step



12. Step

